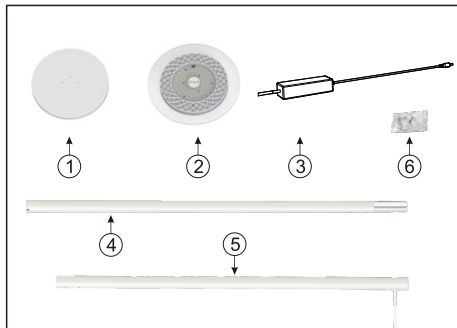
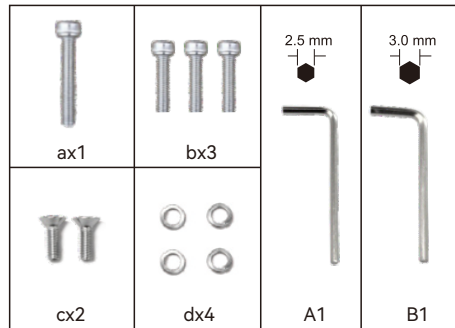


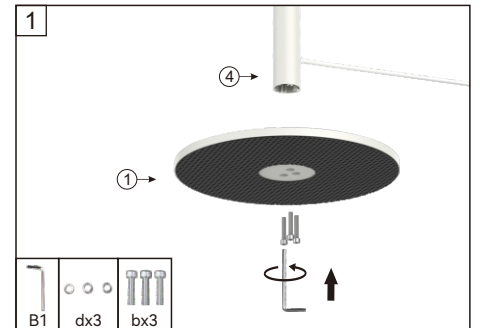
Installation instruction



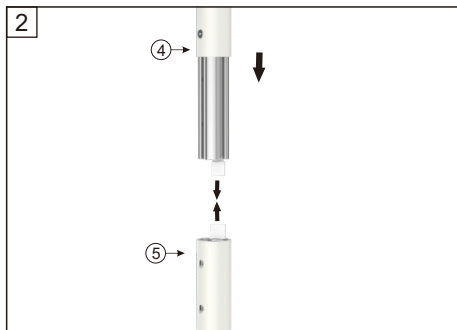
Product list: ① base plate ② lamp body
③ Power supply ④ Up light pole
⑤ Down light pole ⑥ Accessories bag



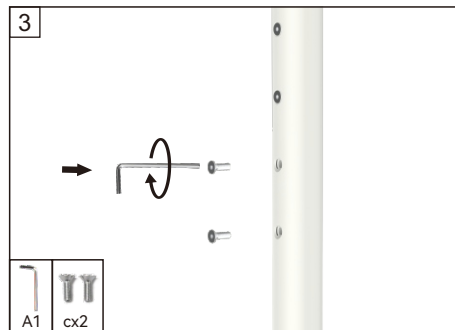
Accessories bag



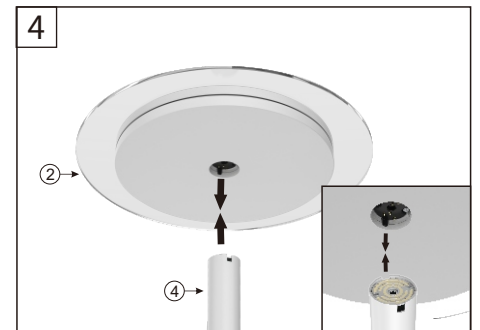
Secure the lamp pole to the base



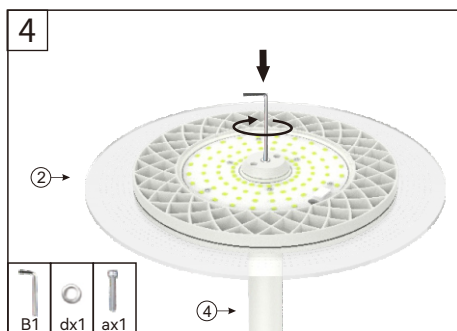
Connect the terminal block



Fix the light pole



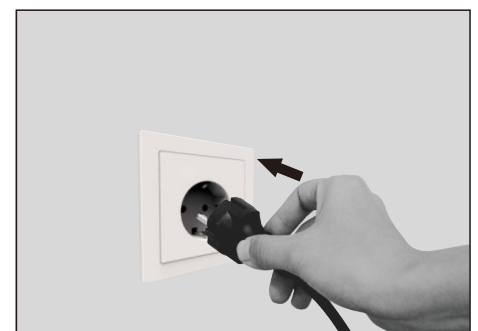
Insert the lamp head into one end of lamp pole



Fix the lamp holder with screws

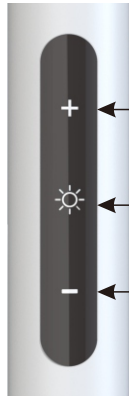


Plug the male end of the power output cable into the light pole input cable, rotate it 90° and fasten it.



Plug in the power cord

Manual

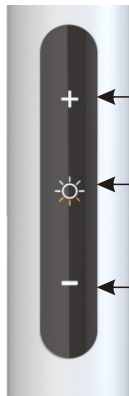


← Long press to dimming +

← On-Off Switch:
1. ON: Turn on and will keep light same as previous status automatically
2.OFF: Turn off the light

← Long press to dimming -

non color dimming



← Long press to dimming +

← On-Off Switch:
1. ON: Turn on and will keep light same as previous status automatically.
2.OFF: Turn off the light.
Long press for CCT change

← Long press to dimming -

color dimming