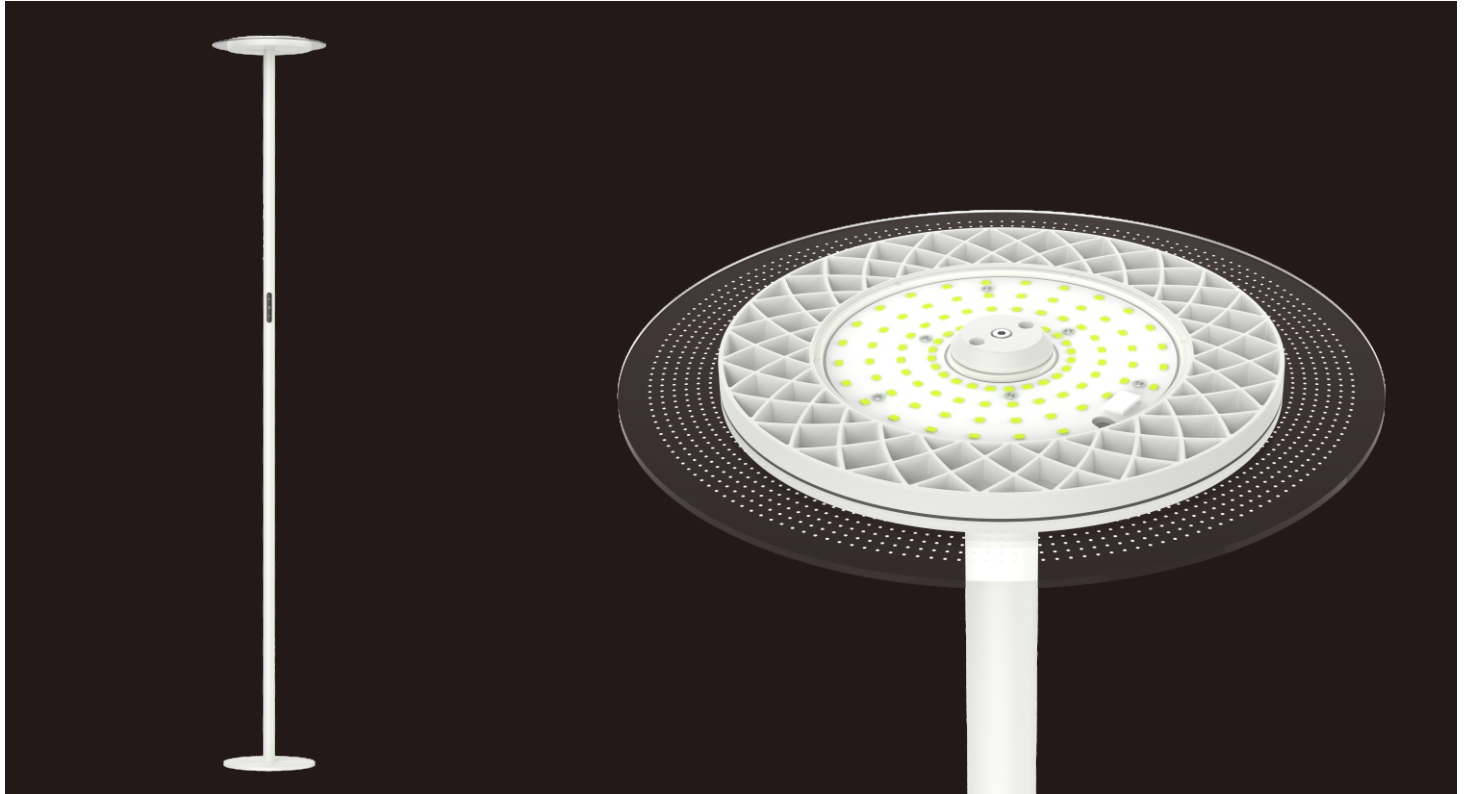


COFFEE-R free standing luminaire



Minimalist design, rich texture, perfect assembly details, and exquisite finishes give COFFEE a unique and attractive look. 95% indirect lighting ensure you to enjoy a soft, healthy and wonderful lighting experience. Unlike similar products, the luminous flux is up to 6400 lumens, which is good for large area supplementary and small-space main lighting applications.

The lamp head adopts aluminum alloy die-casting as heat sink, which can meet the maximum heat distribution power of 45W, and acrylic light guide plate dotted with laser dot emits uniform decorative light. The pole is made of 6063 aluminum, with cut off pole design and external driver. The base made of hot-rolled steel plate provides more concise and refined appearance.

COFFEE supports Touch dimming for brightness adjustment with wide application in negotiation rooms, small meeting rooms, BREAKOUT areas and other office areas. It is also a good choice for lighting such as family living room, bedrooms and study rooms lighting.

Features

Compact and quality appearance, patent design with rich texture and visual impact

High lumen efficiency reach to 140LM/W, total 6400lm lumen output

95% indirect light, UGR <10

With cut off pole design and external driver

$L_{max} \geq 65^\circ < 1000 \text{ cd/m}^2$

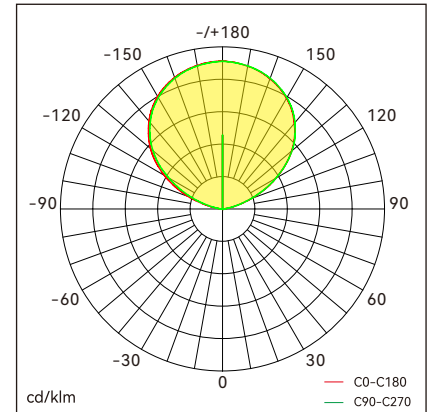
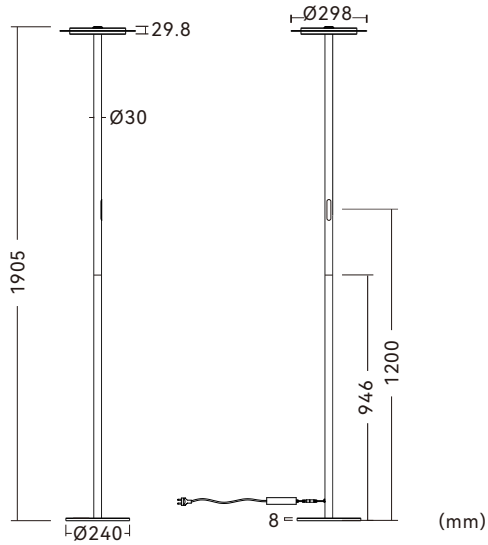
5 years warranty

Application Areas

For negotiation rooms, small meeting rooms, BREAKOUT areas and other office areas.
Family living room, bedrooms and study rooms lighting.

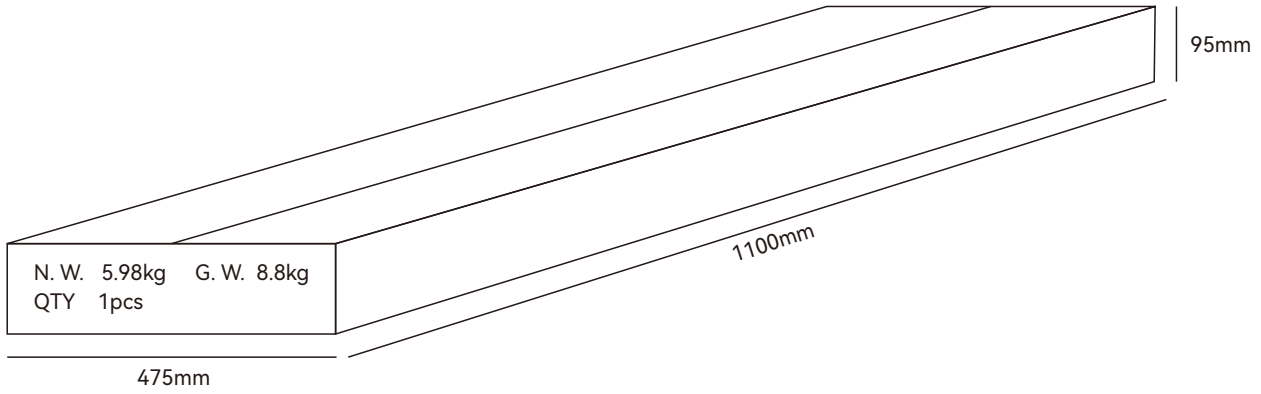


Technical data



Item No.	BCRJ-1904500-BN	BCRJ-1904500-CN
Input Power(±10%)	45W	
Input Voltage	AC200~240V	
Power Factor	≥0.9	
Luminous Flux(±10%)	6400lm	5850lm
UGR	<10	
Color Rendering Index	>80	
Life Time	L80(B10)50,000H	
Beam Angle	115°	
CCT	3000/4000/6000K	3000-5700K
Colour consistency SDCM	< 3	
Dimming	Touch dimming	
Sensor	ON	
Housing Color	Black/White/Silver	
Fixture Materia	6063AL	
Protection Level	IP20	
Storage Temperature	-40°C~+80°C	
Working Temperature	-20°C~+45°C	
Net Weight	5.9kg	
Package size	1100*475*95mm	
20GP	600pcs	
40GP	1250pcs	

Packaging



Shenzhen Nexol Lighting Technology Co.,Ltd.

E-mail: info@nexol-lighting.com

www.nexol-lighting.com

Factory: Floor 6-9, Building 3, Tonghu Intelligent Industrial Park, Zhongkai High-Tech District, HuiZhou 516035

Office: Room 306&309, Floor 3, Building E, Longhua Digital Industrial Park, Guanlan Road 54-6, Longhua district, Shenzhen, China 518110



All values in specification are typical value from laboratory measurement, for concrete data, please refer to shipment testing report.

Information provided is subject to change without notice. Please verify all details with NEXOL Lighting.

Copyright Shenzhen Nexol Lighting Co., Ltd.. All rights reserved.