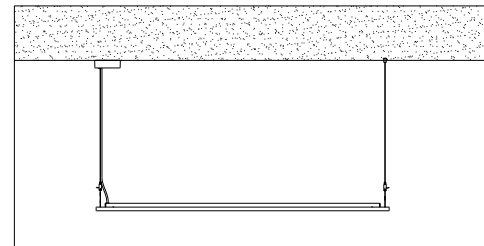
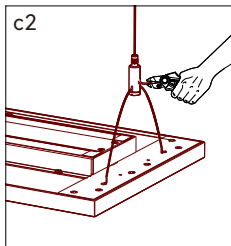
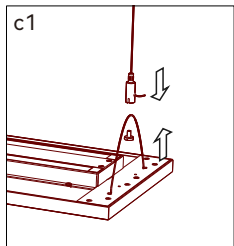
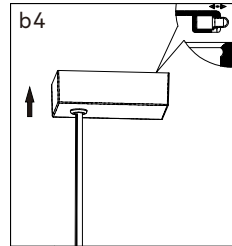
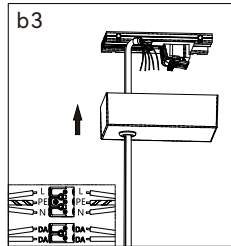
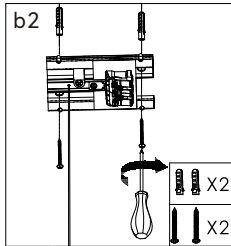
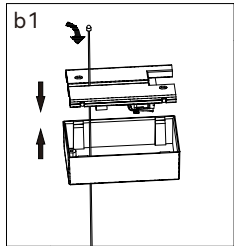
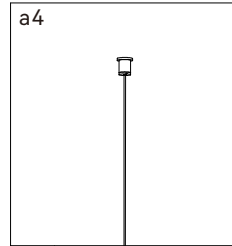
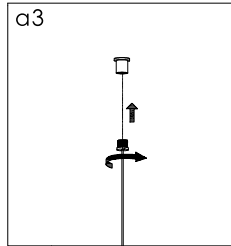
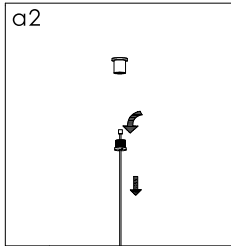
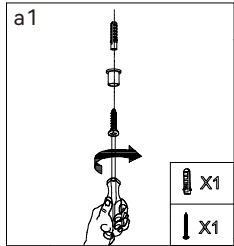
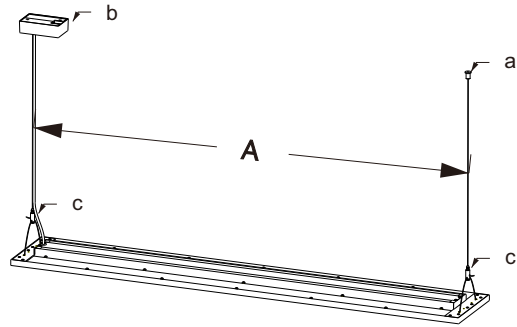
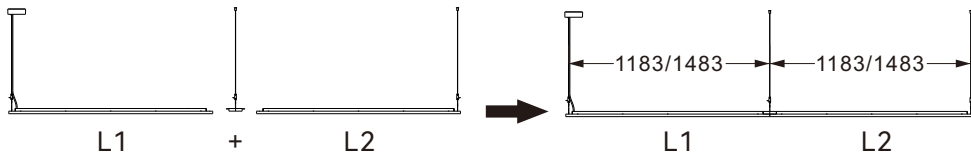


Installation instruction

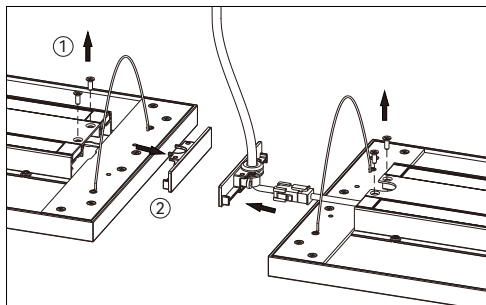
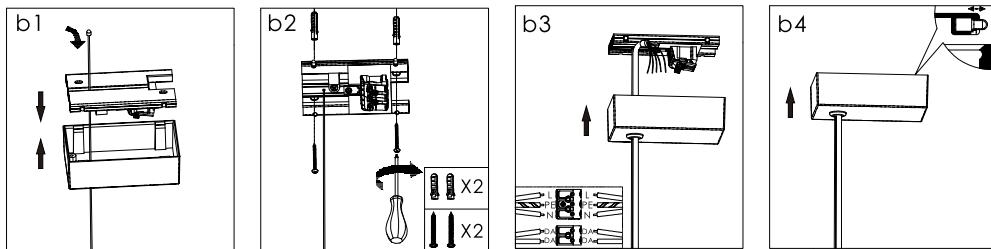
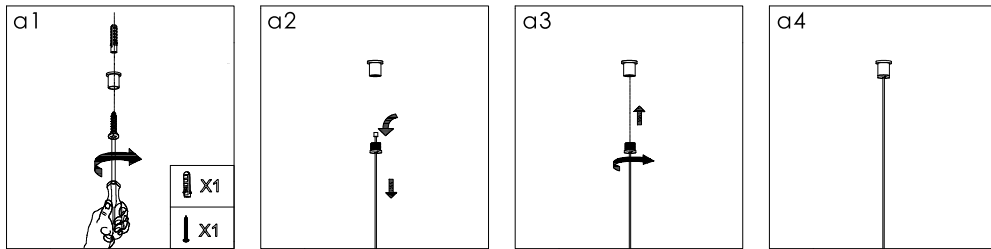
Length	A
1.2m	1166mm
1.5m	1466mm



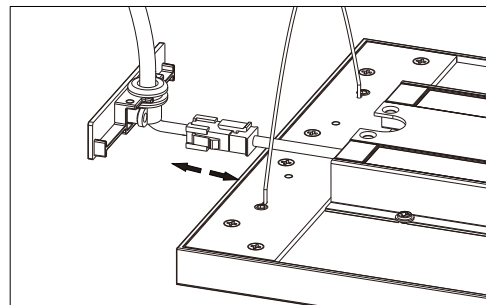
Installation instruction



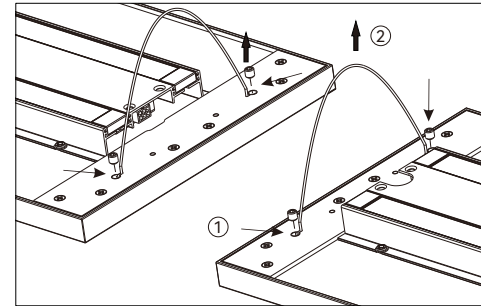
Friendly reminder: one AC input cable support 12pcs lamp link together



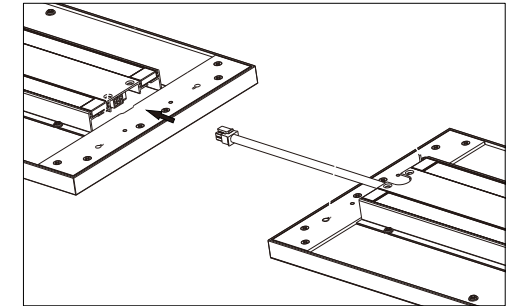
Loosen screw 1 as shown in the figure and remove the end cover on the side to be connected



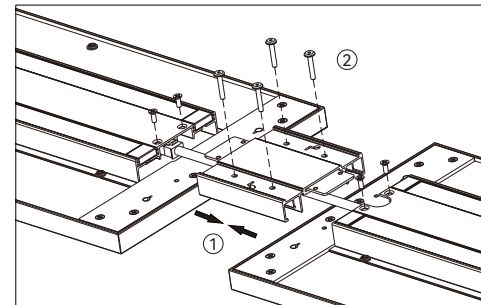
Remove the power cord at the desired link by disconnecting the pairs of terminals.



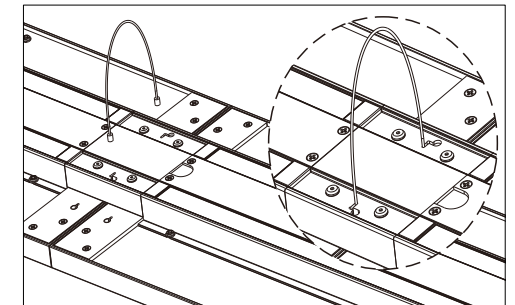
Loosen the M5 screw and remove the wire rope at the splicing end.



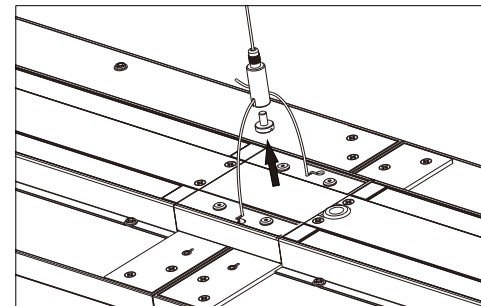
Pair up the cables.



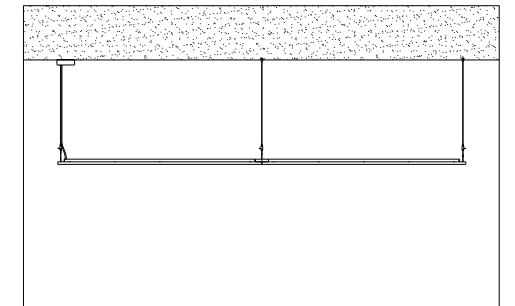
Secure the cascade block to the lamp body with screws.



Install the wire rope onto the connecting block, making sure that the wire rope does not slip out of the mounting hole



Lock the screws, adjust the wire rope to the appropriate height, tighten the screws, and secure the wire rope.



Complete the installation