

Rep step light is a recessed step light with a special optical design for indoor use. It has simple and compact shape with rich texture. It is composed of die-cast aluminum parts and optical lenses. The lamp is compatible with the universal European recessed bottom shell, masks are replaceable in round and square shapes. Motion sensor optional. The unique polarized anti-glare design makes the light outlet of the lamp very small. The light outlet adopts an anti-glare and glossy structure design, the lamp is glare-free, the light coverage is large, and the light uniformity is high. Our lamps come with 5-year warranty and can be used for indoor step lighting, indoor corridor lighting, etc.

### Features

---

Simple and rich textured design

---

With the micro structure design of the light outlet, the lamp has no glare, with large light coverage and high uniformity.

---

No visible screw design

---

Universal European universal recessed bottom shell

---

Replaceable mask

---

Motion sensor optional

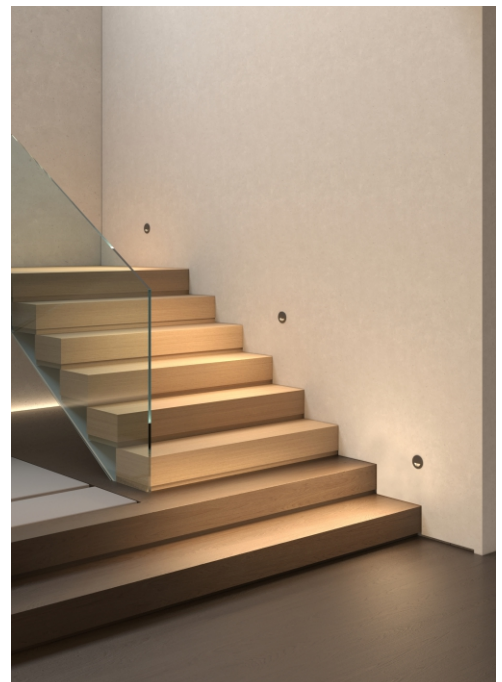
---

5 years warranty

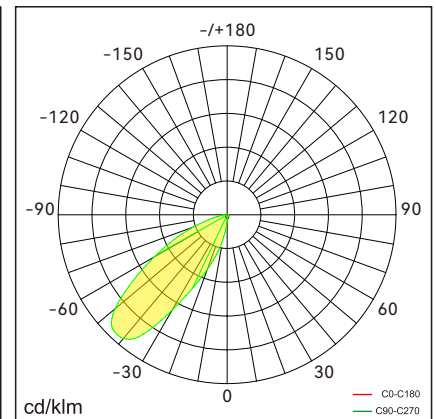
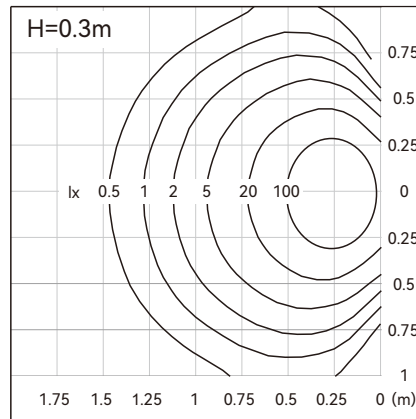
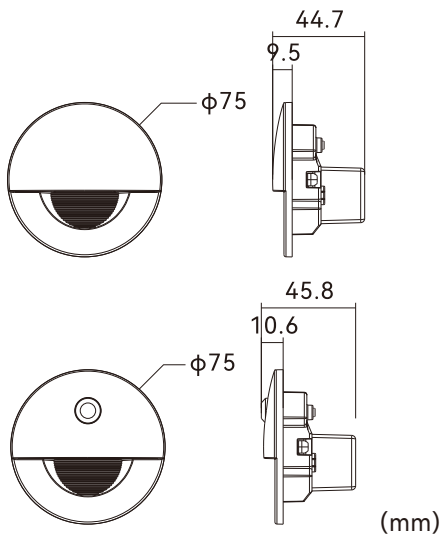
### Application Areas

---

Applicable to indoor step lighting, indoor corridor lighting, etc.

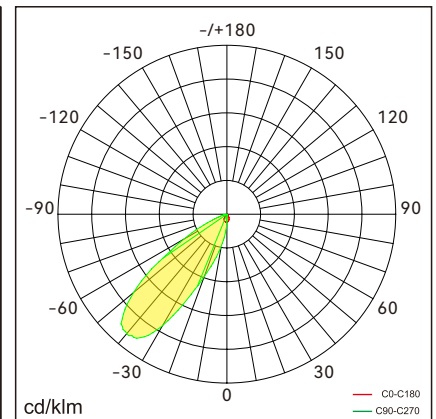
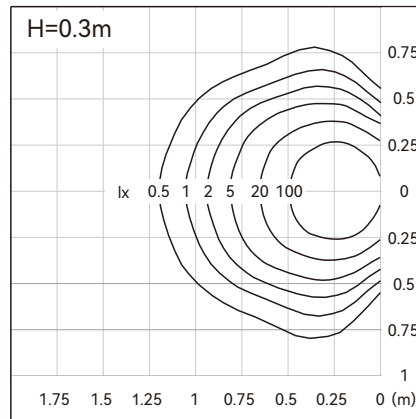
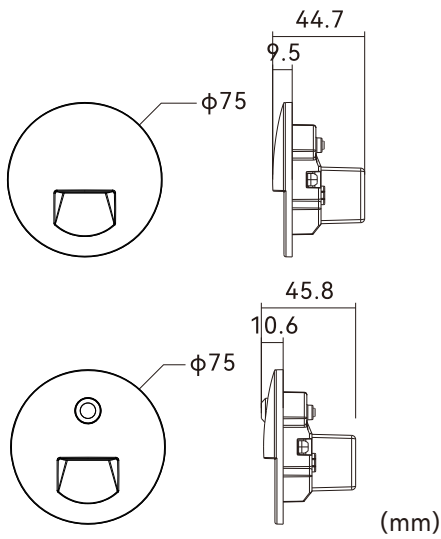


# Technical data



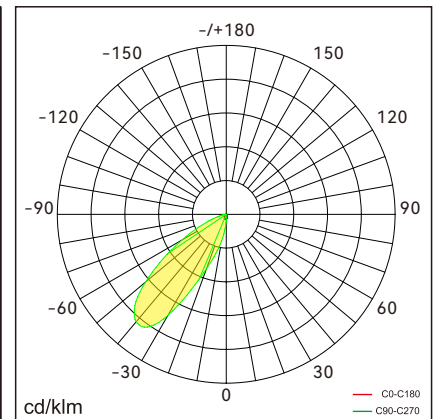
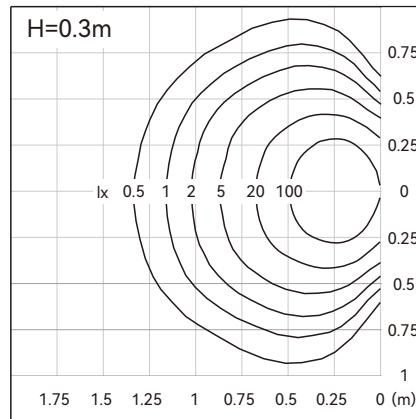
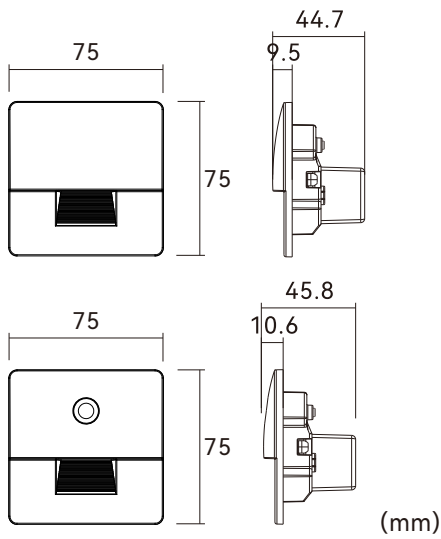
Item No.	BREQ1-0300404-NN	BREQ1-0300404-NM
Input Power(±10%)	4W	
Input Voltage	AC200~240V	
Power Factor	≥0.9	
Luminous Flux(±10%)	80lm	
Color Rendering Index	>80	
Life Time	L80(B10)50,000H	
Optic	Asymmetric optics	
CCT(±200K)	3000K/4000K/6000K	
Colour consistency SDCM	<3	
Sensor	NO	Motion sensor
Housing Color	Silver / White / Black	
Fixture Materia	6063AL	
Protection Level	IP20	
Storage Temperature	-40°C~+80°C	
Working Temperature	-20°C~+40°C	
Net Weight	0.15kg	
Package size	445*185*377mm (mask 100pc) / 445*185*377mm (lamp body 50pc)	
20GP	38500pcs	
40GP	77000pcs	

# Technical data



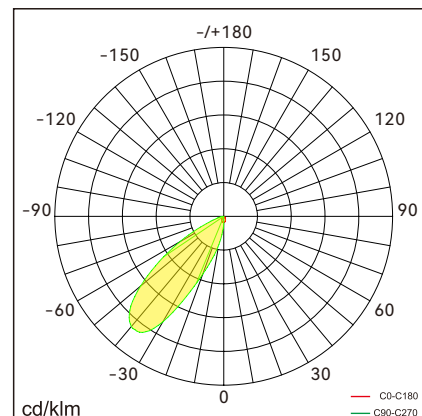
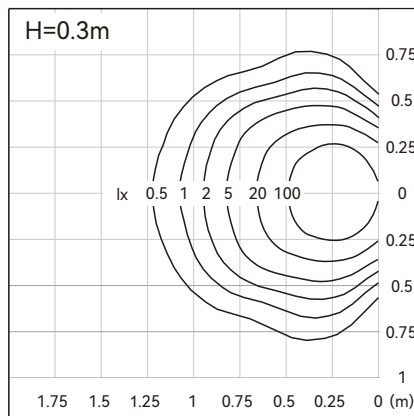
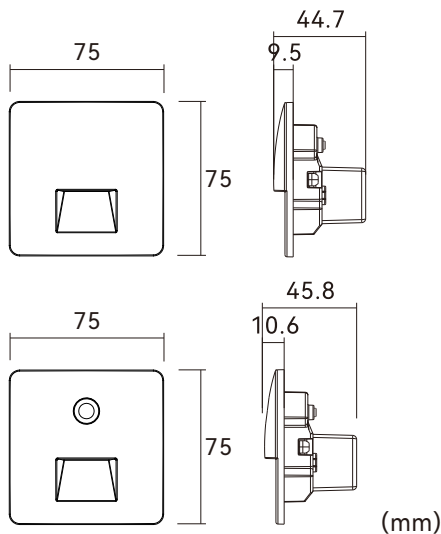
Item No.	BREQ2-0300404-NN	BREQ2-0300404-NM
Input Power(±10%)	4W	
Input Voltage	AC200~240V	
Power Factor	≥0.9	
Luminous Flux(±10%)	80lm	
Color Rendering Index	>80	
Life Time	L80(B10)50,000H	
Optic	Asymmetric optics	
CCT(±200K)	3000K/4000K/6000K	
Colour consistency SDCM	<3	
Sensor	NO	Motion sensor
Housing Color	Silver / White / Black	
Fixture Materia	6063AL	
Protection Level	IP20	
Storage Temperature	-40°C~+80°C	
Working Temperature	-20°C~+40°C	
Net Weight	0.15kg	
Package size	445*185*377mm (mask 100pc) / 445*185*377mm (lamp body 50pc)	
20GP	38500pcs	
40GP	77000pcs	

# Technical data



Item No.	BREQ3-0300404-NN	BREQ3-0300404-NM
Input Power(±10%)	4W	
Input Voltage	AC200~240V	
Power Factor	≥0.9	
Luminous Flux(±10%)	80lm	
Color Rendering Index	>80	
Life Time	L80(B10)50,000H	
Optic	Asymmetric optics	
CCT(±200K)	3000K/4000K/6000K	
Colour consistency SDCM	<3	
Sensor	NO	Motion sensor
Housing Color	Silver / White / Black	
Fixture Materia	6063AL	
Protection Level	IP20	
Storage Temperature	-40°C~+80°C	
Working Temperature	-20°C~+40°C	
Net Weight	0.15kg	
Package size	445*185*377mm (mask 100pc) / 445*185*377mm (lamp body 50pc)	
20GP	38500pcs	
40GP	77000pcs	

# Technical data



Item No.	BREQ4-0300404-NN	BREQ4-0300404-NM
Input Power(±10%)	4W	
Input Voltage	AC200~240V	
Power Factor	≥0.9	
Luminous Flux(±10%)	80lm	
Color Rendering Index	>80	
Life Time	L80(B10)50,000H	
Optic	Asymmetric optics	
CCT(±200K)	3000K/4000K/6000K	
Colour consistency SDCM	<3	
Sensor	NO	Motion sensor
Housing Color	Silver / White / Black	
Fixture Materia	6063AL	
Protection Level	IP20	
Storage Temperature	-40°C~+80°C	
Working Temperature	-20°C~+40°C	
Net Weight	0.15kg	
Package size	445*185*377mm (mask 100pc) / 445*185*377mm (lamp body 50pc)	
20GP	38500pcs	
40GP	77000pcs	

Shenzhen Nexol Lighting Technology Co.,Ltd.

E-mail: [info@nexol-lighting.com](mailto:info@nexol-lighting.com)

[www.nexol-lighting.com](http://www.nexol-lighting.com)

Factory: Floor 6-9,Building 3,Tonghu Intelligent Industrial Park, Zhongkai High-Tech District, HuiZhou 516035

Office: Room 306&309, Floor 3, Building E, Longhua Digital Industrial Park, Guanlan Road 54-6, Longhua district, Shenzhen, China 518110

All values in specification are typical value from laboratory measurement, for concrete data, please refer to shipment testing report. Information provided is subject to change without notice. Please verify all details with NEXOL Lighting.

Copyright Shenzhen Nexol Lighting Co., Ltd.. All rights reserved.

