

# Installation instruction

## Model codes



B2RP0-05360-NN



B2RP2-05360-NN



B2RP1-05360-NN



B2RP3-05360-NN



B2RP0-05360-NM



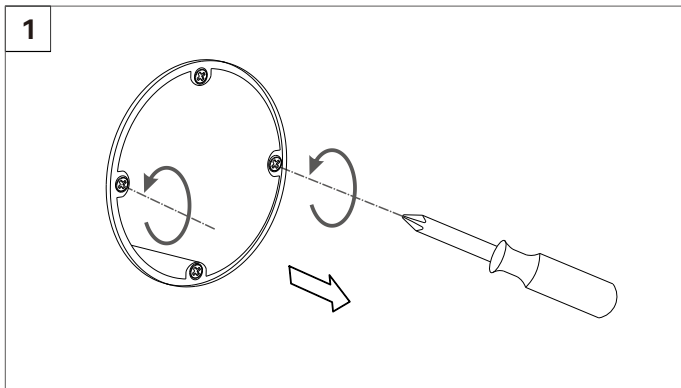
B2RP2-05360-NM



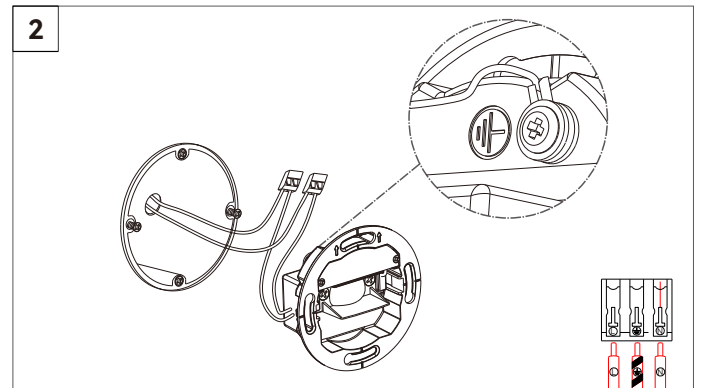
B2RP1-05360-NM



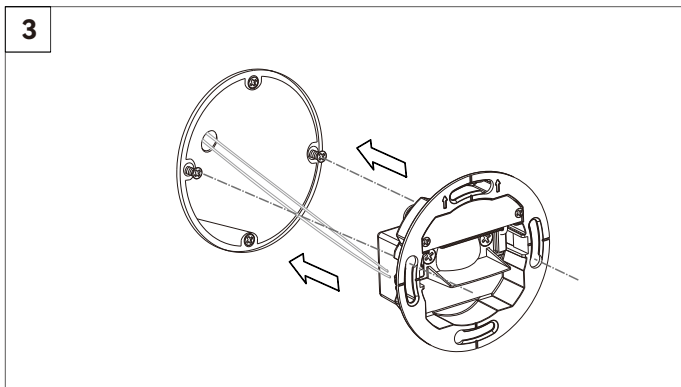
B2RP3-05360-NM



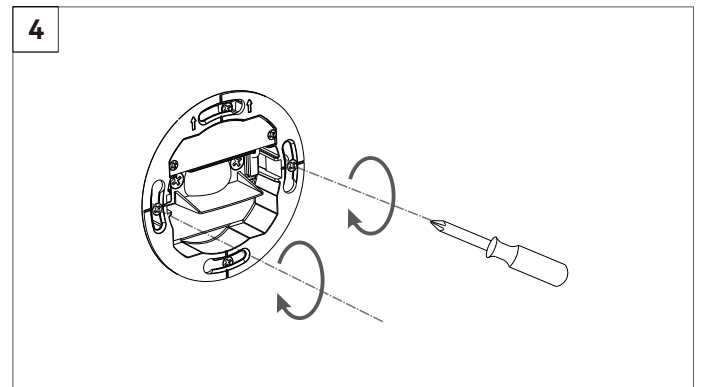
Loosen the screws in the anchor half out.



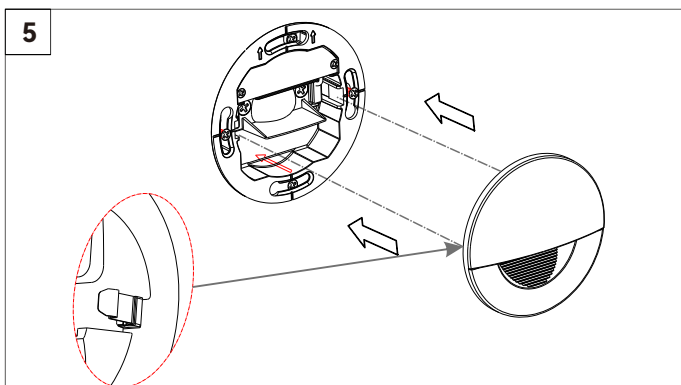
Connect the cable (make sure the power is off, AC200-240V).



Insert the screws through the mounting holes.



Align the light fixture in place and lock the screws



Fasten the light cover

