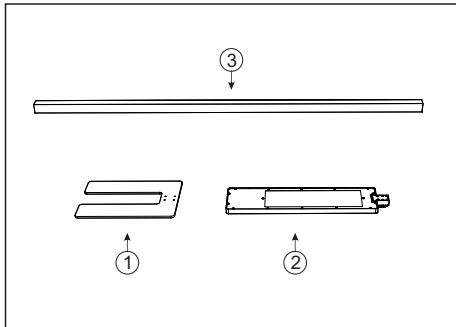
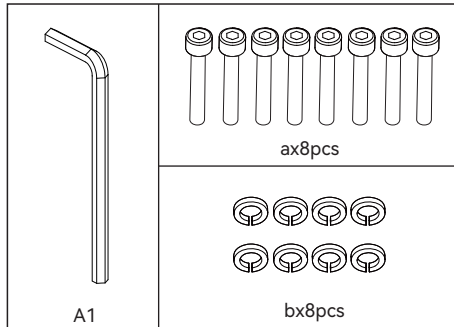


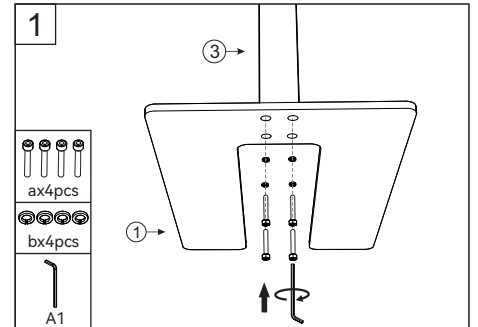
Installation instruction



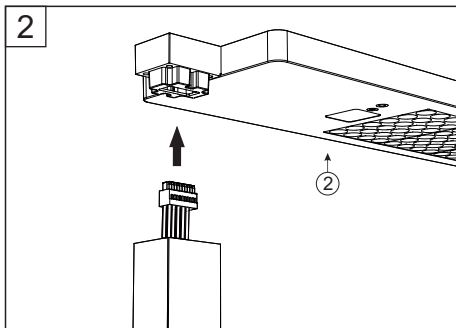
Product list: ① base plate ② lamp body
③ Pole



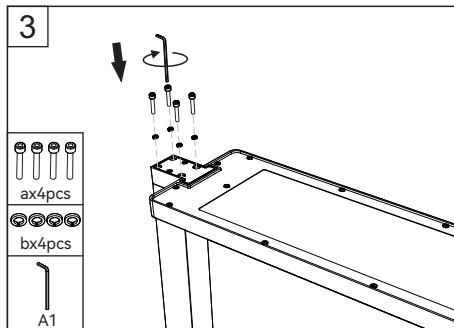
Accessories bag



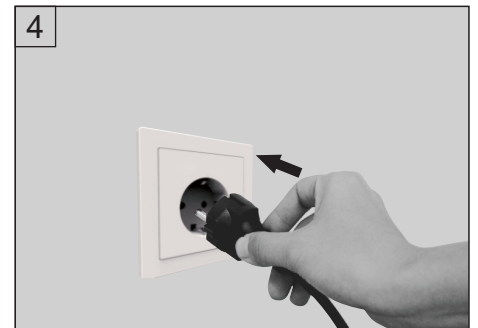
Secure the lamp pole to the base



Connect the terminal block



Fix the lamp holder with screws

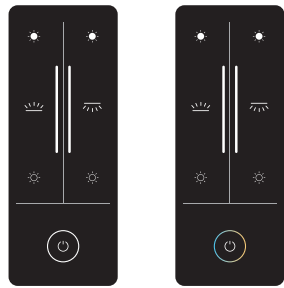


Plug in the power cord

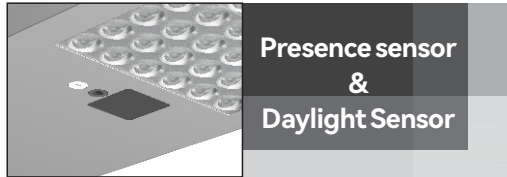
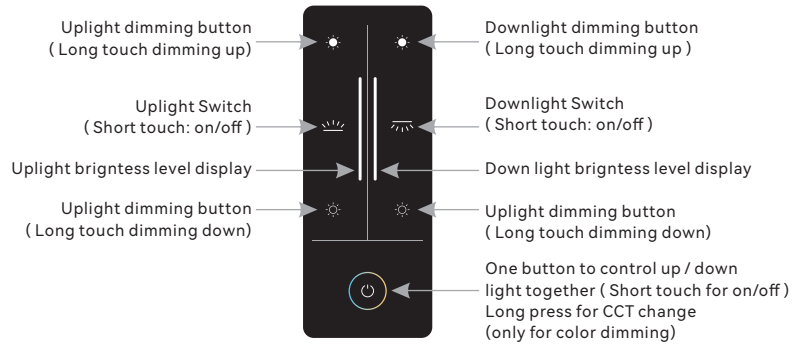


5

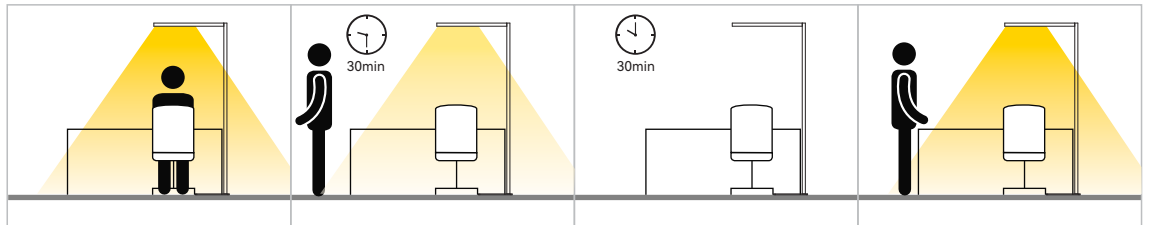
Manual



non color dimming color dimming

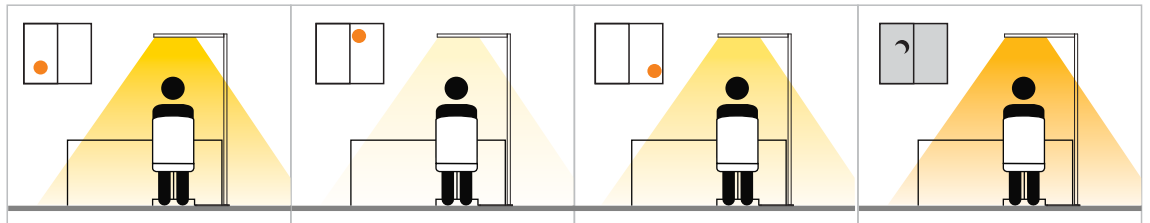


A. Presence sensor



1. Turn on the lamp
2. The lamp brightness reduces to around 30% when there is no presence in about 30 min
3. After another roughly 30min, the lamp switches off automatically when still no presence detected
4. The lamp will switches on automatically at once when there is presence detected.

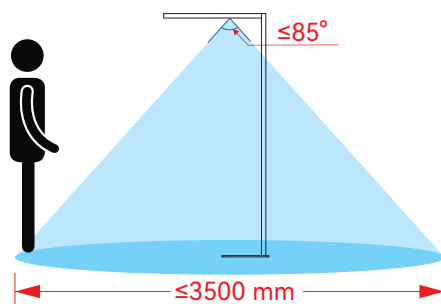
B. Daylight Sensor



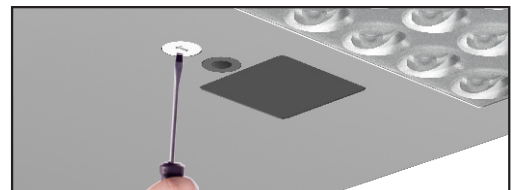
1. Turn on the light and dimming to a comfortable brightness, the daylight sensor will memory this lux value which performance on desk as a standard lux.
2. When ambient brightness increase (reduce), light will adjust to reduce (increase) its brightness, and guarantee the lux on desk are same to that standard lux, or at least close to that standard lux, it may have around 10% tolerance.
3. When every time dimming again on light brightness, daylight sensor will memory this new lux value which performance on desk as a new standard lux.

Attention: The lux value which the light performance on desk will be effected if there is any change on desk within the area of 20° angle under the daylight sensor.

Detectable area



Here to tell you how to play Presence Sensor & Daylight Sensor



information Dip switches	Presence sensor	Daylight sensor
0	OFF	OFF
1	ON	OFF
2	ON	ON
3	OFF	ON

Adjust the dip switch to the module by screwdriver.