

Nova-F1 Free standing luminaire



Modern and minimalist design style, coupled with exquisite materials and perfect assembly details, the product appearance looks rich in texture. Integrated die-casting and 23mm ultra-thin lamp head, good performance in heat dissipation, simpler appearance, down light adopts an original polarized lens optical module, and the high-power up light adopts the tilted polarized light design of the lamp board, makes the light distribution more uniform and comfortable in space, and the desktop light uniformity $U_0 > 0.7$. Interactive control panel, independent control up and down lights. Support smart functions such as presence sensor and daylight sensor. The main materials are aluminum profiles, steel, PC, PMMA; easy to install.

Features

Desktop uniformity $U_0 > 0.7$

Asymmetrical lens optical module for direct light
 $L_{max} \geq 65^\circ \leq 3000\text{cd/m}^2$

Tilted panel structural polarized design for indirect light, make the illumination distribution more uniform and comfortable

Integrated die-cast and 23mm ultra-thin lamp head, good heat dissipation performance and simple appearance

Support for smart control functions

- Touch panel dimming
- Presence sensor
- Day light sensor
- CASAMBI (Customizable)
- HCL (Customizable)
- SWARM (Customizable)

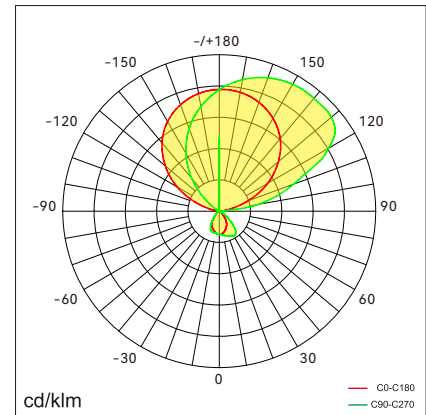
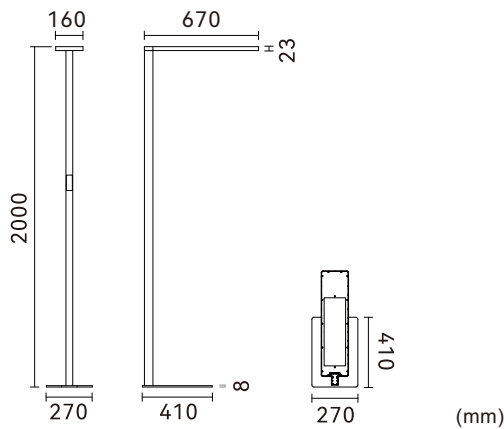
5 years warranty

Application Areas

Open-plan office, individual office, etc.



Technical data

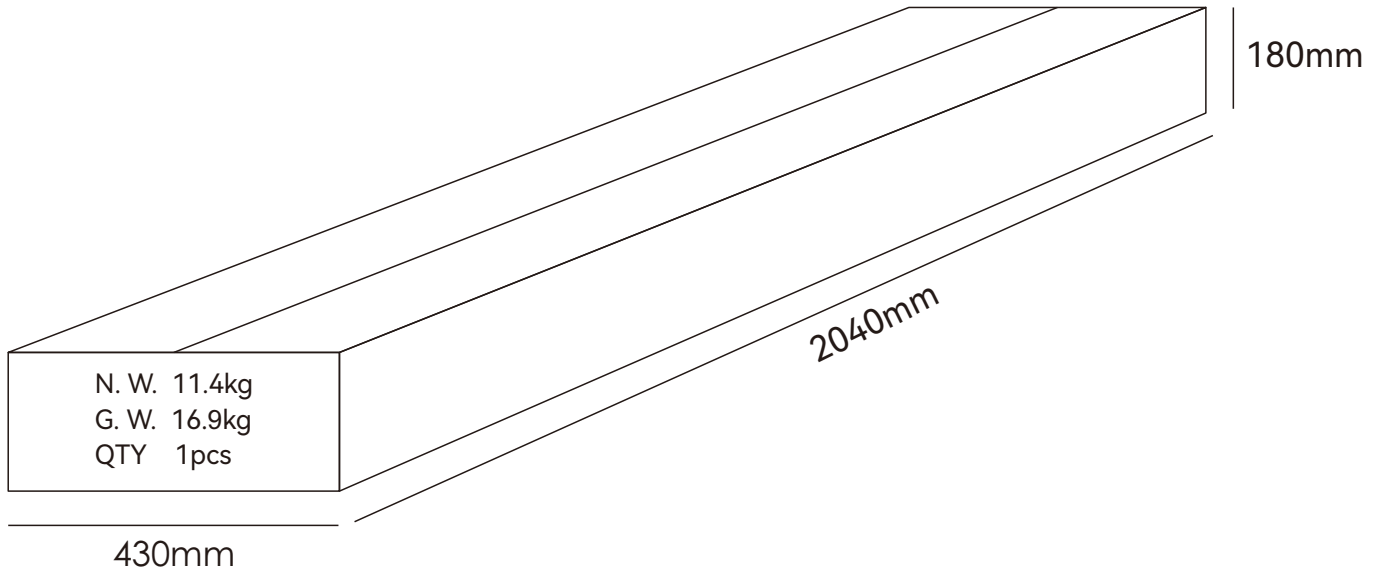


Item No.	BNOF1-2008012-BD	BNOF1-2008012-CD
Input Power(±10%)	80W (↑ 68W/12W ↓)	
Input Voltage	AC200~240V	
Power Factor	≥0.9	
Luminous Flux(±10%)	11200lm (↑ 9580lm/1620lm ↓)	10400lm (↑ 8900lm/1500lm ↓)
UGR	<14	
Color Rendering Index	>80	
Life Time	L80(B10)50,000H	
Beam Angle	↑ 100°/70° ↓ Asymmetric optics	
CCT(±200K)	3000/4000/6000K	3000~5700K
Colour consistency SDCM	<3	
Dimming	Touch panel dimming	
Sensor	Presence sensor & Day light sensor	
Housing Color	Silver / White / Black	
Fixture Materia	6063AL	
Protection Level	IP20	
Storage Temperature	-40°C~+80°C	
Working Temperature	-20°C~+40°C	
Net Weight	11.4kg	
Gross Weight	16.9kg	
Package size	2040*430*180mm (1pcs)	
20GP	182pcs	
40GP	377pcs	

Technical data

Item No.	BNOF1-2010012-BD	BNOF1-2010012-CD
Input Power(±10%)	100W (↑ 88W/12W ↓)	
Input Voltage	AC200~240V	
Power Factor	≥0.9	
Luminous Flux(±10%)	14000lm (↑ 12380lm/1620lm ↓)	13000lm (↑ 11500lm/1500lm ↓)
UGR	<14	
Color Rendering Index	>80	
Life Time	L80(B10)50,000H	
Beam Angle	↑ 100°/70° ↓ Asymmetric optics	
CCT(±200K)	3000/4000/6000K	3000~5700K
Colour consistency SDCM	<3	
Dimming	Touch panel dimming	
Sensor	Presence sensor & Day light sensor	
Housing Color	Silver / White / Black	
Fixture Materia	6063AL	
Protection Level	IP20	
Storage Temperature	-40°C~+80°C	
Working Temperature	-20°C~+40°C	
Net Weight	11.4kg	
Gross Weight	16.9kg	
Package size	2040*430*180mm (1pcs)	
20GP	182pcs	
40GP	377pcs	

Packaging



Shenzhen Nexol Lighting Technology Co.,Ltd.

E-mail: info@nexol-lighting.com

www.nexol-lighting.com

Factory: Floor 6-9, Building 3, Tonghu Intelligent Industrial Park, Zhongkai High-Tech District, HuiZhou 516035

Office: Room 306&309, Floor 3, Building E, Longhua Digital Industrial Park, Guanlan Road 54-6, Longhua district, Shenzhen, China 518110



All values in specification are typical value from laboratory measurement, for concrete data, please refer to shipment testing report. Information provided is subject to change without notice. Please verify all details with NEXOL Lighting.

Copyright Shenzhen Nexol Lighting Co., Ltd.. All rights reserved.