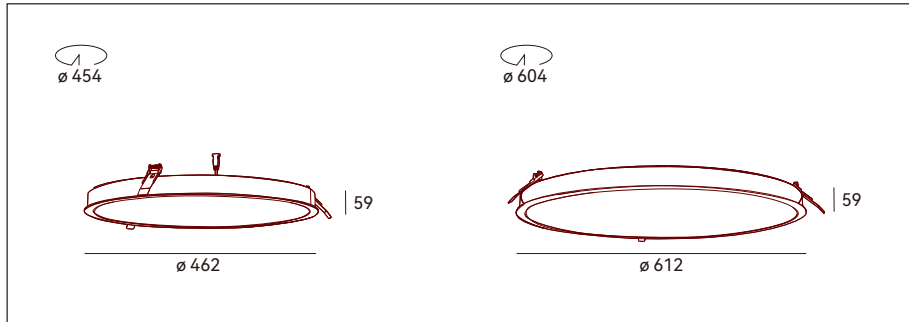
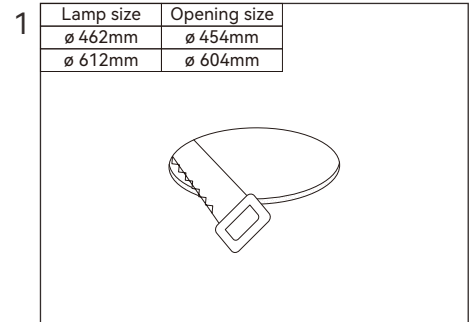


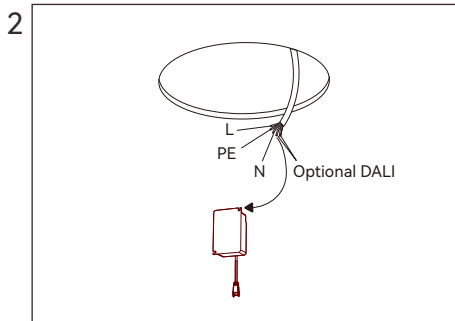
Installation Instructions



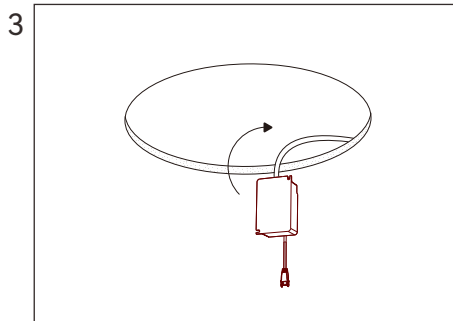
size



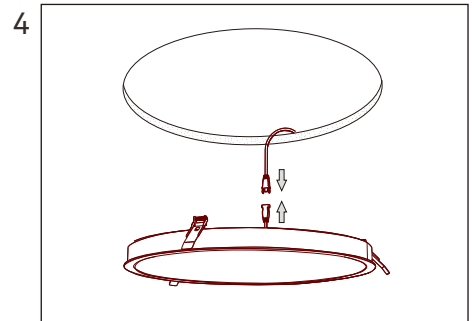
Opening hole



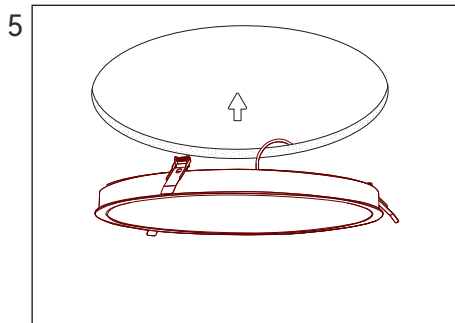
2 Connect the cable (make sure the power is off, AC200-240V).



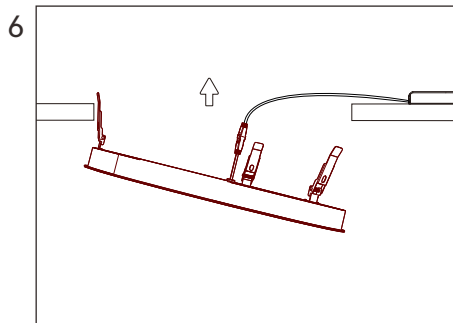
3 Place the driver on the ceiling



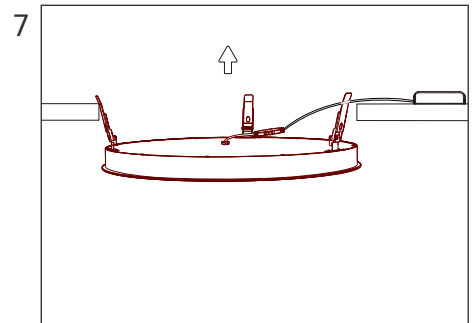
4 Connect the cable



5 Snap the light into the ceiling



6 First place one of the fixture's circlips into the ceiling



7 Place another 2 circlips of the light fixture into the ceiling, and then place the light fixture upwards into the ceiling

