

ROMAN-F0 free standing luminaire



With extremely simple design and excellent craftwork, exquisite appearance looks with rich of texture. Lamp is designed with special Direct/Indirect lighting and 115°(Indirect) beam angle. Collocated with micro reflector and anti-glare cover, it can realize 60°(Direct) beam angle and perfect light cutoff. UGR<6. Typical value of light efficiency is 150lm/w, and lighting is of flicker free. Support smart functions like Motion and Daylight sensor. Work with CASAMBI wireless system to support group setting. Simply assembling structure, flexible to support customers' requirement. Profile aluminum and PC as main materials.

Features

Compact and quality appearance, patent design with rich texture and visual impact

High lumen efficiency reach to 150lm/W, fitting with a 1800lm direct and 13200lm indirect lights, total 15000lm lumen output

UGR<6, lighting uniform and healthy

Direct and indirect light control Individually

SDCM < 3

Support for smart control functions

- Touch panel dimming
- Motion sensor
- Day light sensor
- CASAMBI(Customizable)
- SWARM(Customizable)

5 years warranty

Application Areas

Open-plan office, individual office, etc.



Technical data



Item No.	BROF0-1906018-BN	BROF0-1906018-BM	BROF0-1906018-BD
Input Power(±10%)		↑ 42W/18W ↓	
Input Voltage		AC200~240V	
Power Factor		≥0.9	
Luminous Flux(±10%)		↑ 6840lm/2160lm ↓	
UGR		<6	
Color Rendering Index		>80	
Life Time		L80(B10)50,000H	
Beam Angle		↑ 115°/60° ↓	
CCT(±200K)		3000/4000/6000K	
Colour consistency SDCM		< 3	
Dimming		Touch panel dimming	
Sensor		Daylight sensor & Motion sensor	
Housing Color		Silver / White / Black	
Fixture Materia		6063AL	
Protection Level		IP20	
Storage Temperature		-40°C~+80°C	
Working Temperature		-20°C~+45°C	
Net Weight		15.1 kg	
Gross Weight		3.6kg (Pole) / 17.7kg (head&base)	
Package size (1 pcs)		2090*172*107mm (Pole) / 731*731*129mm (head&base)	
40GP		290pcs	
20GP		596pcs	

Technical data

Item No.	BROF0-1908016-BN	BROF0-1908016-BM	BROF0-1908016-BD	BROF0-1908016-CD
Input Power(±10%)	↑ 64W/16W ↓			
Input Voltage	AC200~240V			
Power Factor	≥0.9			
Luminous Flux(±10%)	↑ 10080lm/1920lm ↓			↑ 8800lm/1600lm ↓
UGR	<6			
Color Rendering Index	>80			
Life Time	L80(B10)50,000H			
Beam Angle	↑ 115°/60° ↓			
CCT(±200K)	3000/4000/6000K			3000-5700K
Colour consistency SDCM	< 3			
Dimming	Touch panel dimming			
Sensor	Daylight sensor & Motion sensor			
Housing Color	Silver / White / Black			
Fixture Materia	6063AL			
Protection Level	IP20			
Storage Temperature	-40°C~+80°C			
Working Temperature	-20°C~+45°C			
Net Weight	15.1kg			
Gross Weight	3.6kg (Pole) / 17.7kg (head&base)			
Package size (1pcs)	2090*172*107mm (Pole) / 731*731*129mm (head&base)			
40GP	290pcs			
20GP	596pcs			

Technical data

Item No.	BROF0-1910015-BD	BROF0-1910015-CD
Input Power(±10%)	↑ 85W/15W ↓	
Input Voltage	AC200~240V	
Power Factor	≥0.9	
Luminous Flux(±10%)	↑ 13200lm/1800lm ↓	↑ 11500lm/1500lm ↓
UGR	<6	
Color Rendering Index	>80	
Life Time	L80(B10)50,000H	
Beam Angle	↑ 115°/60° ↓	
CCT(±200K)	3000/4000/6000K	3000-5700K
Colour consistency SDCM	< 3	
Dimming	Touch panel dimming	
Sensor	Daylight sensor & Motion sensor	
Housing Color	Silver / White / Black	
Fixture Materia	6063AL	
Protection Level	IP20	
Storage Temperature	-40°C~+80°C	
Working Temperature	-20°C~+45°C	
Net Weight	15.1 kg	
Gross Weight	3.6kg (Pole) / 17.7kg (head&base)	
Package size (1pcs)	2090*172*107mm (Pole) / 731*731*129mm (head&base)	
40GP	290pcs	
20GP	596pcs	

Shenzhen Nexol Lighting Technology Co.,Ltd.

E-mail: info@nexol-lighting.com

www.nexol-lighting.com

Factory: Floor 6-9, Building 3, Tonghu Intelligent Industrial Park, Zhongkai High-Tech District, HuiZhou 516035

Office: Room 306&309, Floor 3, Building E, Longhua Digital Industrial Park, Guanlan Road 54-6, Longhua district, Shenzhen, China 518110

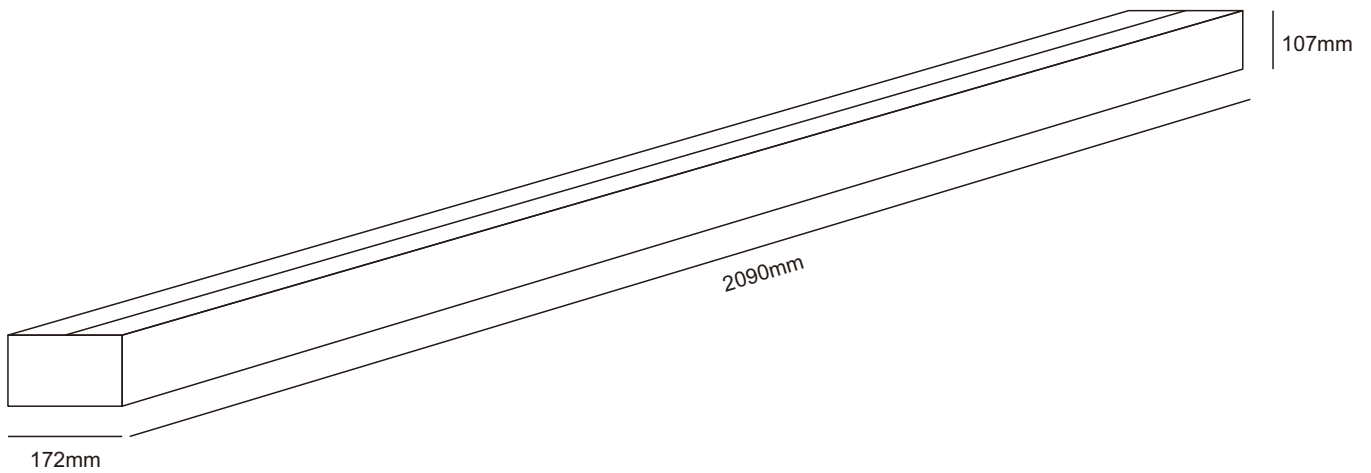


All values in specification are typical value from laboratory measurement, for concrete data, please refer to shipment testing report.

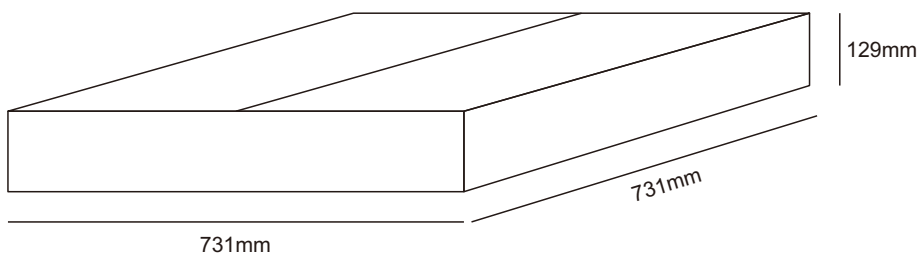
Information provided is subject to change without notice. Please verify all details with NEXOL Lighting.

Copyright Shenzhen Nexol Lighting Co., Ltd.. All rights reserved.

Packaging



3.6kg (Pole) / 17.7kg (head&base)



Net Weight	? kg
Gross Weight	3.6kg (Pole) / 17.7kg (head&base)
Package size (1pcs)	2090*172*107mm (Pole) / 731*731*129mm (head&base)
40GP	290pcs
20GP	596pcs

Shenzhen Nexol Lighting Technology Co.,Ltd.

E-mail: info@nexol-lighting.com

www.nexol-lighting.com

Factory: Floor 6-9, Building 3, Tonghu Intelligent Industrial Park, Zhongkai High-Tech District, HuiZhou 516035

Office: Room 306&309, Floor 3, Building E, Longhua Digital Industrial Park, Guanlan Road 54-6, Longhua district, Shenzhen, China 518110



All values in specification are typical value from laboratory measurement, for concrete data, please refer to shipment testing report. Information provided is subject to change without notice. Please verify all details with NEXOL Lighting.

Copyright Shenzhen Nexol Lighting Co., Ltd.. All rights reserved.