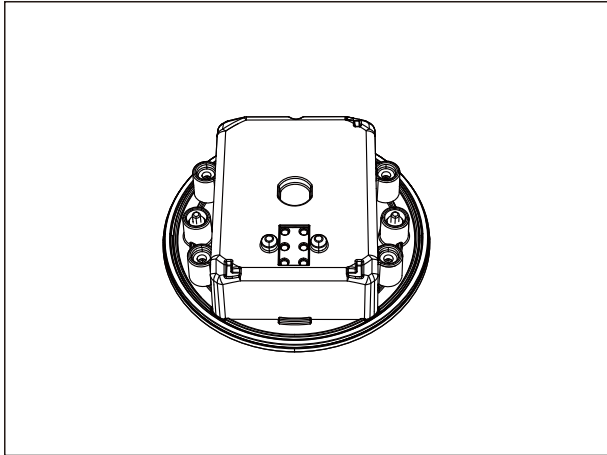
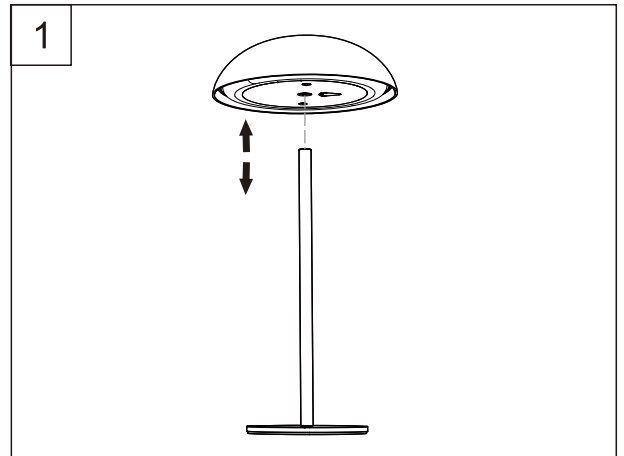


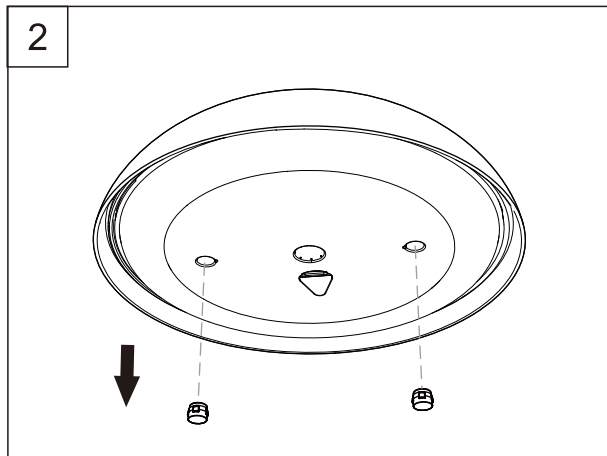
Battery Compartment Replacement Instruction



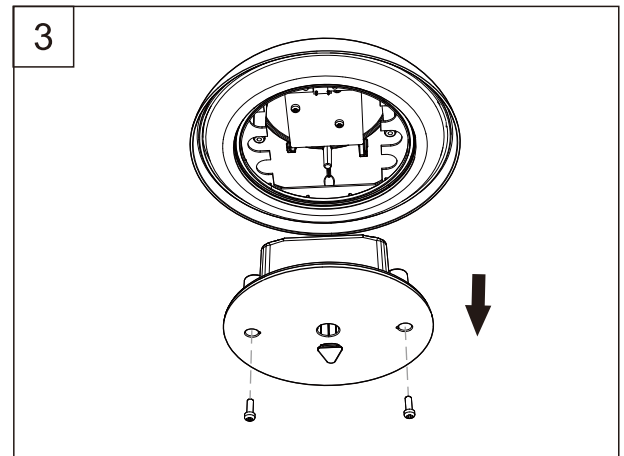
Accessory: new battery compartment



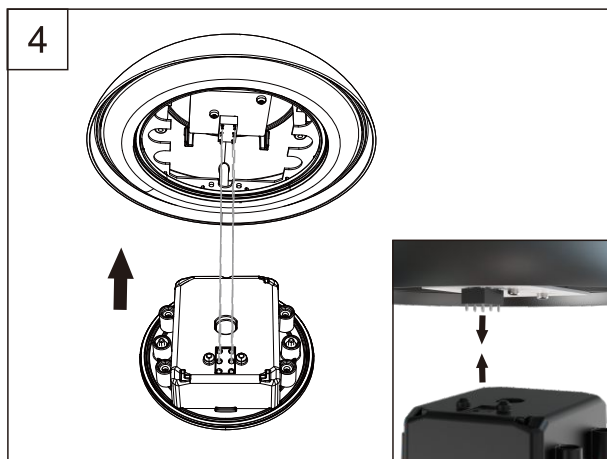
1. Take off lamp head



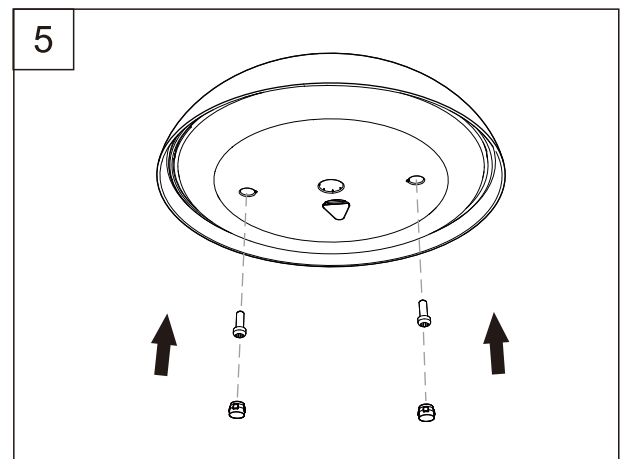
2. Remove the two rubber plugs at the bottom of the head



3. Loosen the screws, then remove old battery



4. Align the new battery compartment with lamp socket



5. Tighten the screws, then put the rubber plug back