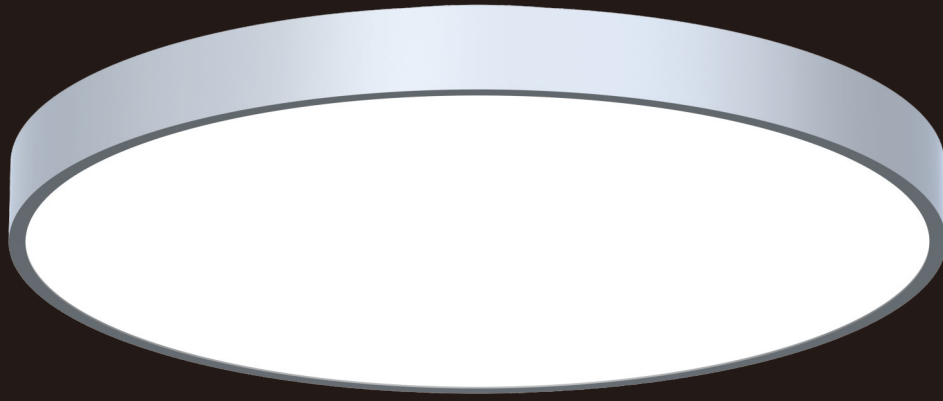


# ROMI-C Surface mounted luminaires



Simple, classic design with excellent craftwork. Appearance with rich texture. Extremely saving installation and maintenance time by revolutionary surface mounted structure. We offer 350MM,450MM,600MM,900MM for choosing. We use special anti-glare cover, UGR<18,Offering comfortable and soft lights for Indirect to support luminous environment.Typical value up to 120lm/W with flicker freely. Support smart functions like Motion sensor, 1-10V and Dali dimming, Tunable white and Emergency function.Work with CASAMBI wireless system to support group setting. Simply assembling structure, flexible to support customers' requirement.Profile aluminum, SGCC, and PC as main materials. Surface mounted installation.

## Features

---

Ultimate uniform and quality lighting effects with professional glare control, UGR <18

---

Come with several size Ø350, Ø450, Ø600, Ø900

---

Extremely simple for installation and maintenance

---

Direct and Indirect lighting

---

Support for smart control functions

- DALI dimming
  - 1-10V dimming
  - CASAMBI
- 

5 years warranty

---

## Application Areas

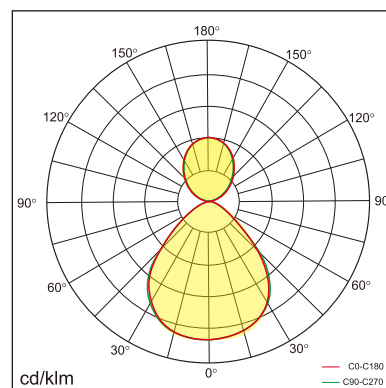
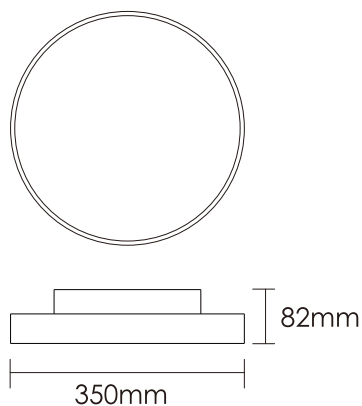
---

For open-plan office, Individual office, Cafeteria,Corridors, Break-out area, Classroom ,etc.

---

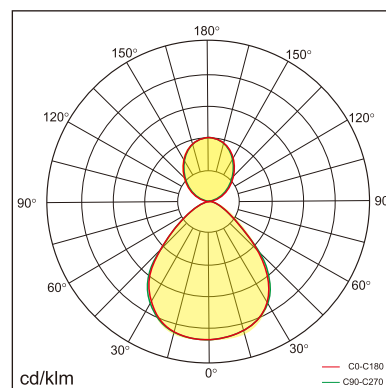
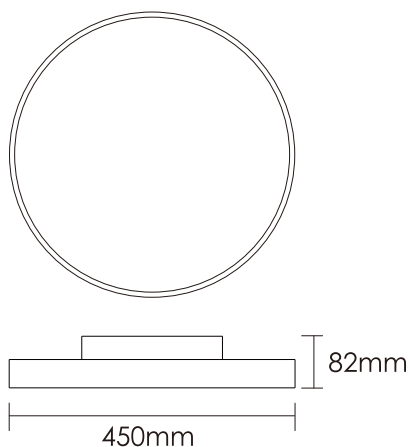


## Technical data



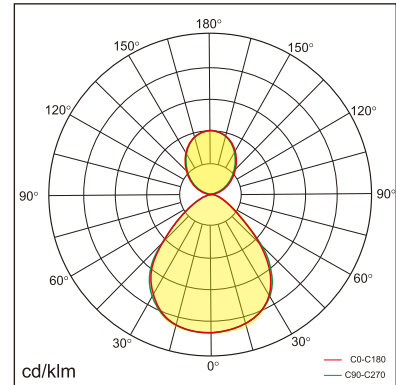
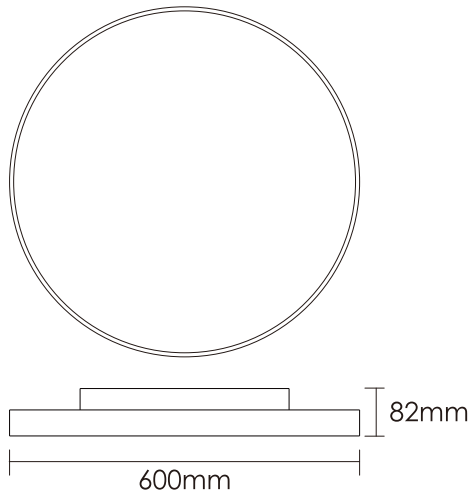
Item No.	BROC-3501812-NN	BROC-3501812-VN	BROC-3501812-DN
Input Power	↑6W/12W↓		
Input Voltage	AC200~240V		
Power Factor	≥0.9		
Luminous Flux	↑500lm/1200lm↓		
UGR	<18		
Color Rendering Index	>80		
Life Time	L80(B10)50,000H		
Beam Angle	↑100°/95°↓		
CCT	3000/4000/6000K		
Colour consistency SDCM	< 3		
Dimming	NO	1-10V dimming	DALI dimming
Sensor	NO		
Housing Color	Silver/White		
Fixture Materia	6063AL		
Protection Level	IP20		
Storage Temperature	-40°C~+80°C		
Working Temperature	-20°C~+45°C		
Net Weight	2.8kg		
Package size	510*450*155mm		
20GP	675PCS		
40GP	1490PCS		

## Technical data



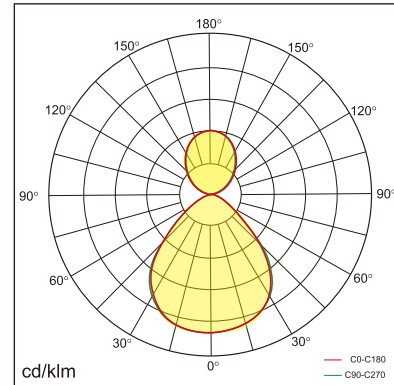
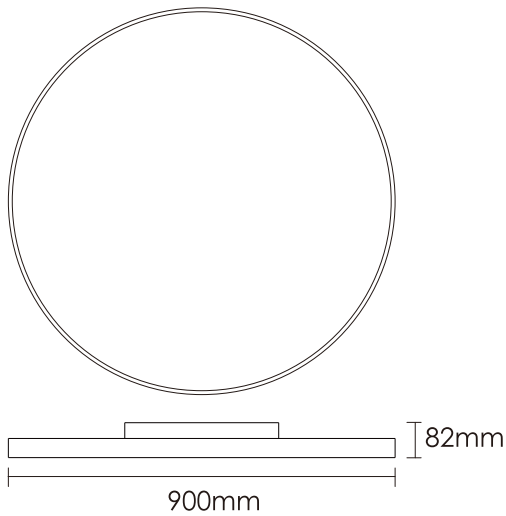
Item No.	BROC-4503021-NN	BROC-4503021-VN	BROC-4503021-DN
Input Power	↑9W/12W↓		
Input Voltage	AC200~240V		
Power Factor	≥0.9		
Luminous Flux	↑1100lm/2200lm↓		
UGR	<18		
Color Rendering Index	>80		
Life Time	L80(B10)50,000H		
Beam Angle	↑100°/95°↓		
CCT	3000/4000/6000K		
Colour consistency SDCM	< 3		
Dimming	NO	1-10V dimming	DALI dimming
Sensor	NO		
Housing Color	Silver/White		
Fixture Materia	6063AL		
Protection Level	IP20		
Storage Temperature	-40°C~+80°C		
Working Temperature	-20°C~+45°C		
Net Weight	3.7kg		
Package size	530*530*155mm		
20GP	550PCS		
40GP	1215PCS		

## Technical data



Item No.	BROC-6004834-NN	BROC-6004834-VN	BROC-6004834-DN
Input Power	↑14W/34W↓		
Input Voltage	AC200~240V		
Power Factor	≥0.9		
Luminous Flux	↑1960lm/3800lm↓		
UGR	<17		
Color Rendering Index	>80		
Life Time	L80(B10)50,000H		
Beam Angle	↑100°/95°↓		
CCT	3000/4000/6000K		
Colour consistency SDCM	< 3		
Dimming	NO	1-10V dimming	DALI dimming
Sensor	NO		
Housing Color	Silver/White		
Fixture Materia	6063AL		
Protection Level	IP20		
Storage Temperature	-40°C~+80°C		
Working Temperature	-20°C~+45°C		
Net Weight	6kg		
Package size	700*700*155mm		
20GP	315PCS		
40GP	697PCS		

## Technical data



Item No.	BROC-9008056-NN	BROC-9008056-VN	BROC-9008056-DN
Input Power	↑24W/56W↓		
Input Voltage	AC200~240V		
Power Factor	≥0.9		
Luminous Flux	↑3400lm/6200lm↓		
UGR	<15		
Color Rendering Index	>80		
Life Time	L80(B10)50,000H		
Beam Angle	↑100°/95°↓		
CCT	3000/4000/6000K		
Colour consistency SDCM	< 3		
Dimming	NO	1-10V dimming	DALI dimming
Sensor	NO		
Housing Color	Silver/White		
Fixture Materia	6063AL		
Protection Level	IP20		
Storage Temperature	-40°C~+80°C		
Working Temperature	-20°C~+45°C		
Net Weight	11.3kg		
Package size	1020*1020*155mm		
20GP	148PCS		
40GP	328PCS		

Shenzhen Nexol Lighting Technology Co.,Ltd.

E-mail: [info@nexol-lighting.com](mailto:info@nexol-lighting.com)

[www.nexol-lighting.com](http://www.nexol-lighting.com)

Factory: Floor 6-9, Building 3, Tonghu Intelligent Industrial Park, Zhongkai High-Tech District, HuiZhou 516035

Office: Room 306&309, Floor 3, Building E, Longhua Digital Industrial Park, Guanlan Road 54-6, Longhua district, Shenzhen, China 518110



All values in specification are typical value from laboratory measurement, for concrete data, please refer to shipment testing report. Information provided is subject to change without notice. Please verify all details with NEXOL Lighting.

Copyright Shenzhen Nexol Lighting Co., Ltd.. All rights reserved.