



The product design is simple, stylish with rich texture, which is suitable for a 20-25 m<sup>2</sup> individual office or an open office area without compensation light and could achieve uniform lighting for one desk and two desks. The direct light 15W. The UGR is less than 10 based on the reflector and anti-glare structure, 50 beam angle and 75 beam angle optional. Indirect light 95W, 140 beam angle, luminous flux of up to 12200LM. The product can realize direct and indirect light control individually, intelligent motion sensor, daylight sensor, tunable white and other stand-alone functions based on its own control system. It also supports to customize CASAMBI, HCL, and SWARM control system. The product could provide uniform, comfortable and low glare lighting for individual offices or open office areas without compensation light.

## Features

---

Compact and quality appearance, patent design with rich texture and visual impact

---

High lumen efficiency reach to 120LM/W

---

80° beam angle direct light with perfect UGR control UGR less than 10

---

140° beam angle indirect light deliver a comfortable lighting for space

---

Direct and indirect light control Individually

---

Support for smart control functions

- touch panel dimming
  - motion sensor
  - day light sensor(optional)
  - tunable white
  - CASAMBI and SOCIL control system(optional)
- 

Lighting distribution cover two desks

---

5 years warranty

---

## Application Areas

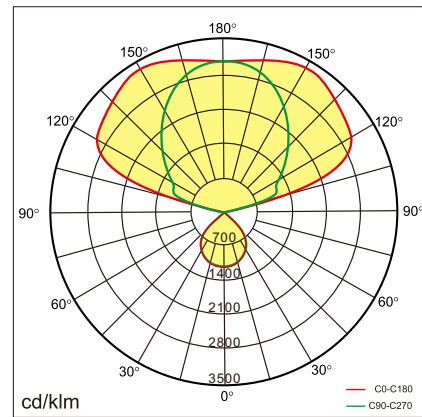
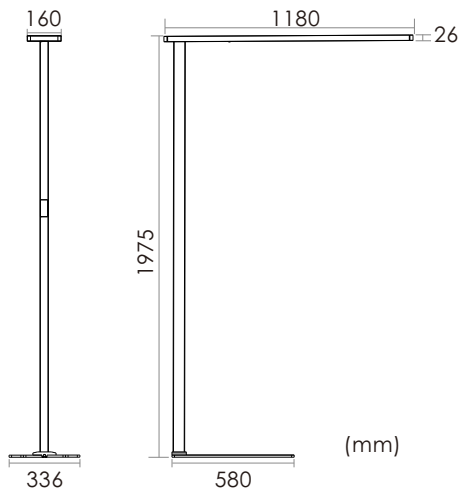
---

For personal offices, public offices and other office space.

---



## Technical data



| Item No.                | BHIF-1911015-BD                  | BHIF-1911015-CD                  |
|-------------------------|----------------------------------|----------------------------------|
| Input Power             | ↑95W/15W↓                        | ↑95W/15W↓                        |
| Input Voltage           | AC200~240V                       | AC200~240V                       |
| Power Factor            | ≥0.9                             | ≥0.9                             |
| Luminous Flux           | ↑12000lm/1700lm↓                 | ↑10000lm/1500lm↓                 |
| UGR                     | <10                              | <10                              |
| Color Rendering Index   | >80                              | >80                              |
| Life Time               | L80(B10)50,000H                  | L80(B10)50,000H                  |
| Beam Angle              | ↑140°/80°↓ or ↑140°/50°↓         | ↑140°/80°↓ or ↑140°/50°↓         |
| CCT                     | 3000/4000/6000K                  | 3000~6000K                       |
| Colour consistency SDCM | < 3                              | < 3                              |
| Dimming                 | Touch panel dimming              | Touch panel dimming              |
| Sensor                  | Daylight sensor<br>Motion sensor | Daylight sensor<br>Motion sensor |
| Housing Color           | Silver/White                     | Silver/White                     |
| Fixture Materia         | 6063AL                           | 6063AL                           |
| Protection Level        | IP20                             | IP20                             |
| Storage Temperature     | -40°C~+80°C                      | -40°C~+80°C                      |
| Working Temperature     | -20°C~+45°C                      | -20°C~+45°C                      |
| Net Weight              | 17kg                             | 17kg                             |
| Package size            | 2055*330*145mm                   | 2055*330*145mm                   |
| 20GP                    | 280pcs                           | 280pcs                           |
| 40GP                    | 570pcs                           | 570pcs                           |

## Technical data

| Item No.                | BHIF-1914015-BD                  | BHIF-1914015-CD                  |
|-------------------------|----------------------------------|----------------------------------|
| Input Power             | ↑125W/15W↓                       | ↑125W/15W↓                       |
| Input Voltage           | AC200~240V                       | AC200~240V                       |
| Power Factor            | ≥0.9                             | ≥0.9                             |
| Luminous Flux           | ↑15000lm/1700lm↓                 | ↑13000lm/1500lm↓                 |
| UGR                     | <10                              | <10                              |
| Color Rendering Index   | >80                              | >80                              |
| Life Time               | L80(B10)50,000H                  | L80(B10)50,000H                  |
| Beam Angle              | ↑140°/80°↓ or ↑140°/50°↓         | ↑140°/80°↓ or ↑140°/50°↓         |
| CCT                     | 3000/4000/6000K                  | 3000~6000K                       |
| Colour consistency SDCM | < 3                              | < 3                              |
| Dimming                 | Touch panel dimming              | Touch panel dimming              |
| Sensor                  | Daylight sensor<br>Motion sensor | Daylight sensor<br>Motion sensor |
| Housing Color           | Silver/White                     | Silver/White                     |
| Fixture Materia         | 6063AL                           | 6063AL                           |
| Protection Level        | IP20                             | IP20                             |
| Storage Temperature     | -40°C~+80°C                      | -40°C~+80°C                      |
| Working Temperature     | -20°C~+45°C                      | -20°C~+45°C                      |
| Net Weight              | 17kg                             | 17kg                             |
| Package size            | 2055*330*145mm                   | 2055*330*145mm                   |
| 20GP                    | 280pcs                           | 280pcs                           |
| 40GP                    | 570pcs                           | 570pcs                           |

Shenzhen Nexol Lighting Technology Co.,Ltd.

E-mail: [info@nexol-lighting.com](mailto:info@nexol-lighting.com)

www.nexol-lighting.com

Factory: 3&4th F, Building A3, Xin-Gui-Yuan Industrial Park, DaFu Road, GuanLan Town, ShenZhen, China 518110

Office: 5th F, Building A1, Zhang-Ge Techno Park, GuanLan Town, ShenZhen, China 518110



All values in specification are typical value from laboratory measurement, for concrete data, please refer to shipment testing report.

Information provided is subject to change without notice. Please verify all details with NEXOL Lighting.

Copyright Shenzhen Nexol Lighting Co., Ltd.. All rights reserved.