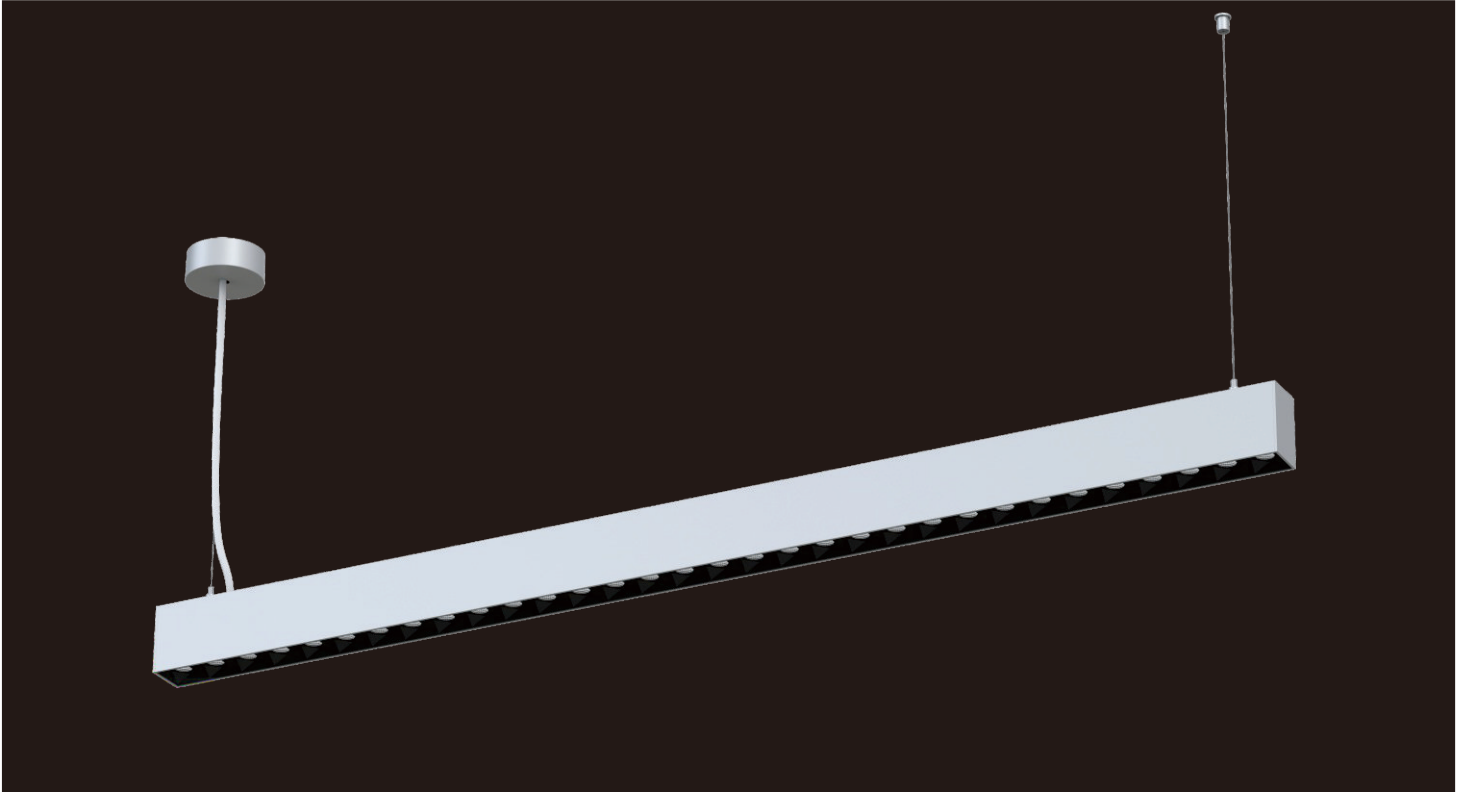


ELFOO-P pendant luminaires



We designed ELFOO Pendant with a concept of Simple, Fashionable and imaginative. Also with excellent craftwork and strict standard for materials. Appearance with rich texture. We use special Micro reflector and anti-glare cover, UGR<15, comfortable and soft lights distribution by different beam angle for Direct 80° & Indirect 140°. Typical value up to 120lm/W with flicker freely. Separate control for Direct & Indirect lights, Tunable white. Profile aluminum, steel, and PC as main materials. Suspension installation.

Features

Wide beam angle with professional glare control design, UGR less than 15

Linkable for linear applications

80°/50° beam angle direct and 140° beam angle indirect, deliver much comfortable lighting for space

No gap and no light come out from connection parts when linked together

Direct and Indirect lighting

Support for smart control functions

- DALI and 1-10V dimming
 - Tunable white
 - CASAMBI
-

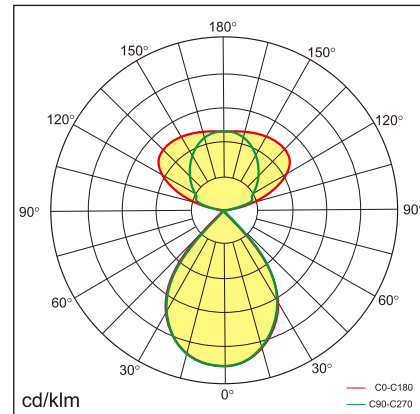
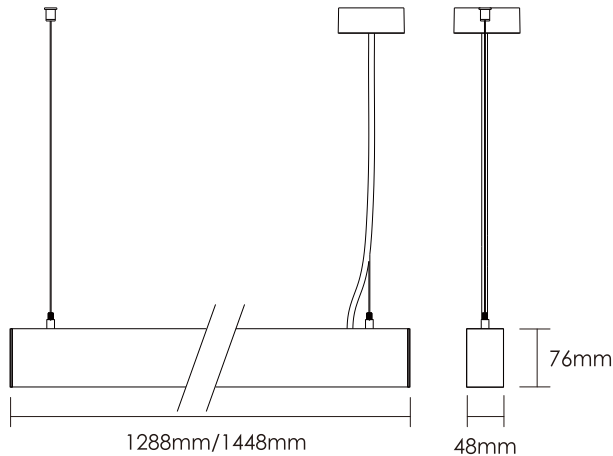
5 years warranty

Application Areas

For open-plan office, Individual office, Cafeteria, Training room, Classroom, etc.



Technical data



Item No.	BEFP-1206024-NN	BEFP-1206024-VN	BEFP-1206024-DN
Input Power	↑36W/24W↓	↑36W/24W↓	↑36W/24W↓
Input Voltage	AC200~240V	AC200~240V	AC200~240V
Power Factor	≥0.9	≥0.9	≥0.9
Luminous Flux	↑4200lm/3250lm↓(SMD5050/4000K) ↑3500lm/2800lm↓(SMD2835/4000K)	↑4200lm/3250lm↓(SMD5050/4000K) ↑3500lm/2800lm↓(SMD2835/4000K)	↑4200lm/3250lm↓(SMD5050/4000K) ↑3500lm/2800lm↓(SMD2835/4000K)
UGR	<15	<15	<15
Color Rendering Index	>80	>80	>80
Life Time	L80(B10)50,000H	L80(B10)50,000H	L80(B10)50,000H
Beam Angle	↑140°/80°↓ or ↑140°/50°↓	↑140°/80°↓ or ↑140°/50°↓	↑140°/80°↓ or ↑140°/50°↓
CCT	3000/4000/6000K	3000/4000/6000K	3000/4000/6000K
Colour consistency SDCM	< 3	< 3	< 3
Dimming	NO	1-10V dimming	DALI dimming
Sensor	NO	NO	NO
Housing Color	Silver/White	Silver/White	Silver/White
Fixture Material	6063AL	6063AL	6063AL
Protection Level	IP20	IP20	IP20
Storage Temperature	-40°C~+80°C	-40°C~+80°C	-40°C~+80°C
Working Temperature	-20°C~+45°C	-20°C~+45°C	-20°C~+45°C
Net Weight	3.2kg	3.2kg	3.2kg
Package size	1480*270*200mm	1480*270*200mm	1480*270*200mm
20GP	1200pcs	1200pcs	1200pcs
40GP	2650pcs	2650pcs	2650pcs

Technical data

Item No.	BEFP-1507028-NN	BEFP-1507028-VN	BEFP-1507028-DN
Input Power	↑42W/28W↓	↑42W/28W↓	↑42W/28W↓
Input Voltage	AC200~240V	AC200~240V	AC200~240V
Power Factor	≥0.9	≥0.9	≥0.9
Luminous Flux	↑5050lm/4050lm↓(SMD5050/4000K) ↑4100lm/3300lm↓(SMD2835/4000K)	↑5050lm/4050lm↓(SMD5050/4000K) ↑4100lm/3300lm↓(SMD2835/4000K)	↑5050lm/4050lm↓(SMD5050/4000K) ↑4100lm/3300lm↓(SMD2835/4000K)
UGR	<15	<15	<15
Color Rendering Index	>80	>80	>80
Life Time	L80(B10)50,000H	L80(B10)50,000H	L80(B10)50,000H
Beam Angle	↑140°/80°↓ or ↑140°/50°↓	↑140°/80°↓ or ↑140°/50°↓	↑140°/80°↓ or ↑140°/50°↓
CCT	3000/4000/6000K	3000/4000/6000K	3000/4000/6000K
Colour consistency SDCM	< 3	< 3	< 3
Dimming	NO	1-10V dimming	DALI dimming
Sensor	NO	NO	NO
Housing Color	Silver/White	Silver/White	Silver/White
Fixture Materia	6063AL	6063AL	6063AL
Protection Level	IP20	IP20	IP20
Storage Temperature	-40°C~+80°C	-40°C~+80°C	-40°C~+80°C
Working Temperature	-20°C~+45°C	-20°C~+45°C	-20°C~+45°C
Net Weight	3.7kg	3.7kg	3.7kg
Package size	1640*270*200mm	1640*270*200mm	1640*270*200mm
20GP	1050pcs	1050pcs	1050pcs
40GP	2350pcs	2350pcs	2350pcs

Shenzhen Nexol Lighting Technology Co.,Ltd.

E-mail: info@nexol-lighting.com

www.nexol-lighting.com

Factory: Floor 6-9, Building 3, Tonghu Intelligent Industrial Park, Zhongkai High-Tech District, HuiZhou 516035

Office: Room 306&309, Floor 3, Building E, Longhua Digital Industrial Park, Guanlan Road 54-6, Longhua district, Shenzhen, China 518110



All values in specification are typical value from laboratory measurement, for concrete data, please refer to shipment testing report.

Information provided is subject to change without notice. Please verify all details with NEXOL Lighting.

Copyright Shenzhen Nexol Lighting Co., Ltd.. All rights reserved.