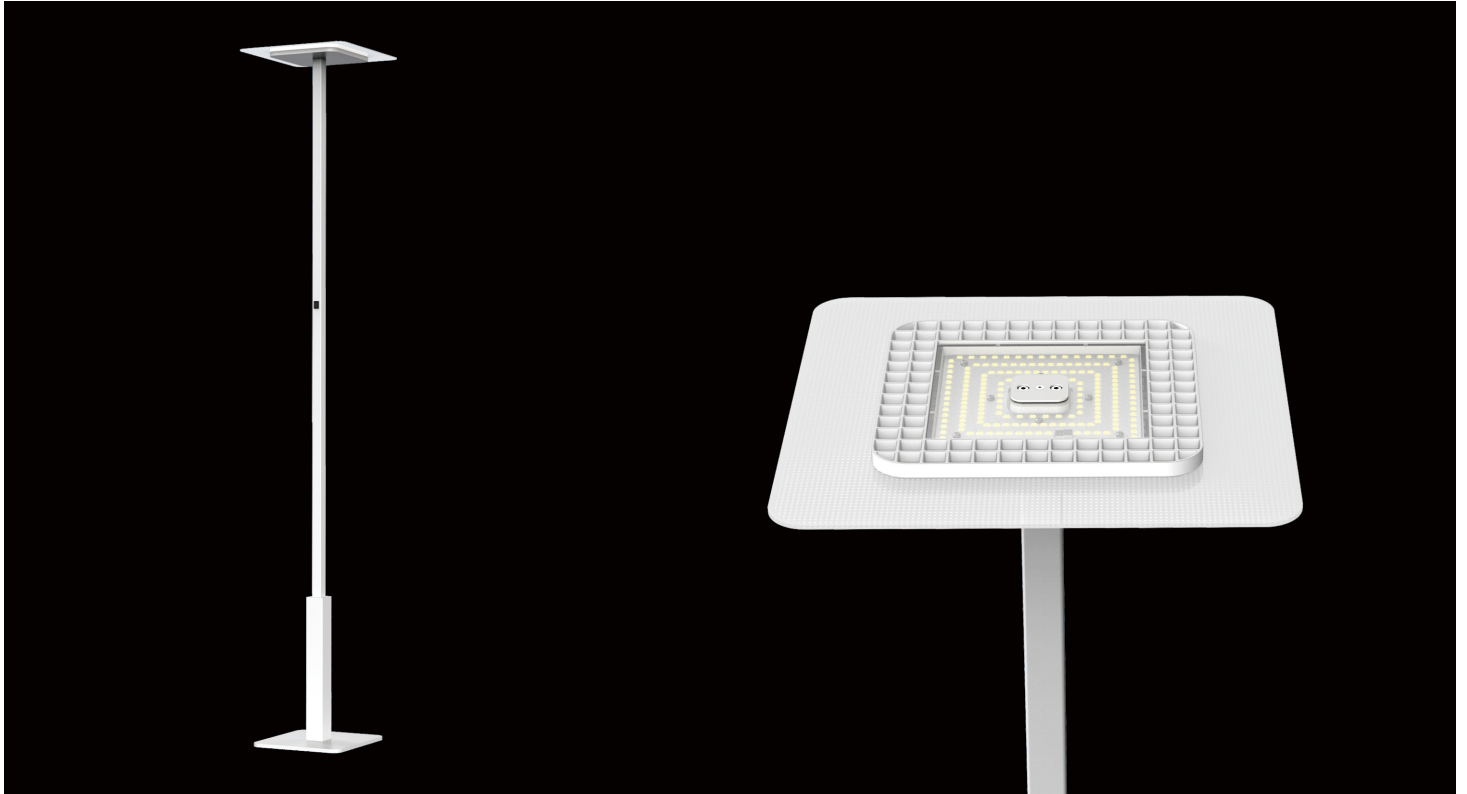


COFFEE-S free standing luminaire



Minimalist design, rich texture, perfect assembly details, and exquisite finishes give COFFEE a unique and attractive look. 100% indirect lighting ensure you to enjoy a soft, healthy and wonderful lighting experience.

Unlike similar products, the luminous flux is up to 5650 lumens, which is good for large area supplementary and small-space main lighting applications.

The lamp head adopts aluminum alloy die-casting as heat sink, which can meet the maximum heat distribution power of 45W, and acrylic light guide plate dotted with laser dot emits uniform decorative light. The pole is made of 6063 aluminum, double pole design with built-in power supply in the lower pole. The base made of hot-rolled steel plate provides more concise and refined appearance.

COFFEE supports Push dimming for brightness adjustment with wide application in negotiation rooms, small meeting rooms, BREAKOUT areas and other office areas. It is also a good choice for lighting such as family living room, bedrooms and study rooms lighting.

Features

Compact and quality appearance, patent design with rich texture and visual impact

High lumen efficiency reach to 125LM/W, total 5650lm lumen output

100% indirect light, with perfect UGR control, UGR <10

Push dimming

5 years warranty

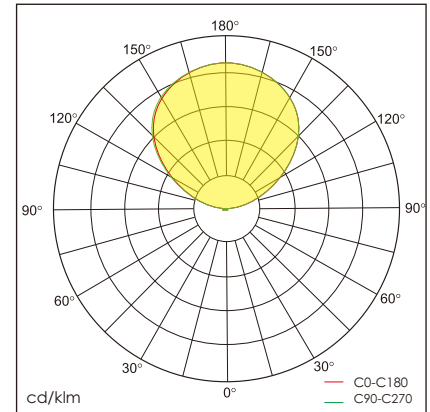
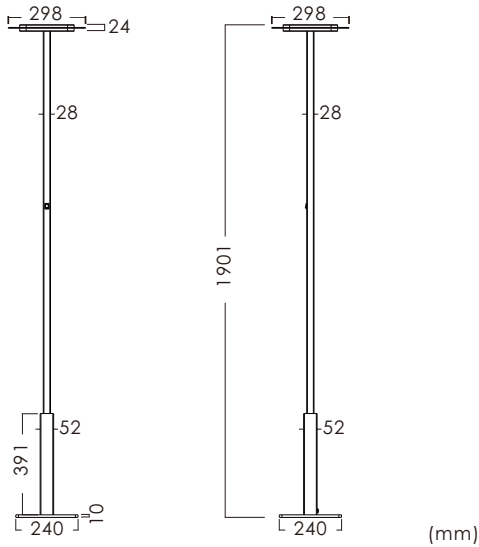
Application Areas

For negotiation rooms, small meeting rooms, BREAKOUT areas and other office areas.

Family living room, bedrooms and study rooms lighting.



Technical data



| Item No. | BCSF-1904500-BN |
|-------------------------|--|
| Input Power | 45W |
| Input Voltage | AC200~240V |
| Power Factor | ≥0.9 |
| Luminous Flux(±5%) | 5650lm |
| UGR | <10 |
| Color Rendering Index | >80 |
| Life Time | L80(B10)50,000H |
| Beam Angle | 110° |
| CCT | 3000/4000/6000K |
| Colour consistency SDCM | < 3 |
| Dimming | No dimming or Push dimming(optional) |
| Sensor | NO |
| Housing Color | White/Black |
| Fixture Materia | 6063AL |
| Protection Level | IP20 |
| Storage Temperature | -40°C~+80°C |
| Working Temperature | -20°C~+45°C |
| Net Weight | 7.1kg |
| Package size | 355*355*102mm(Head)/1945*105*125mm(Pole) |
| 20GP | 629pcs |
| 40GP | 1390pcs |

Shenzhen Nexol Lighting Technology Co.,Ltd.

E-mail: info@nexol-lighting.com

www.nexol-lighting.com

Factory: 3&4th F, Building A3, Xin-Gui-Yuan Industrial Park, DaFu Road, GuanLan Town, ShenZhen, China 518110

Office: 5th F, Building A1, Zhang-Ge Techno Park, GuanLan Town, ShenZhen, China 518110



All values in specification are typical value from laboratory measurement, for concrete data, please refer to shipment testing report.

Information provided is subject to change without notice. Please verify all details with NEXOL Lighting.

Copyright Shenzhen Nexol Lighting Co., Ltd.. All rights reserved.