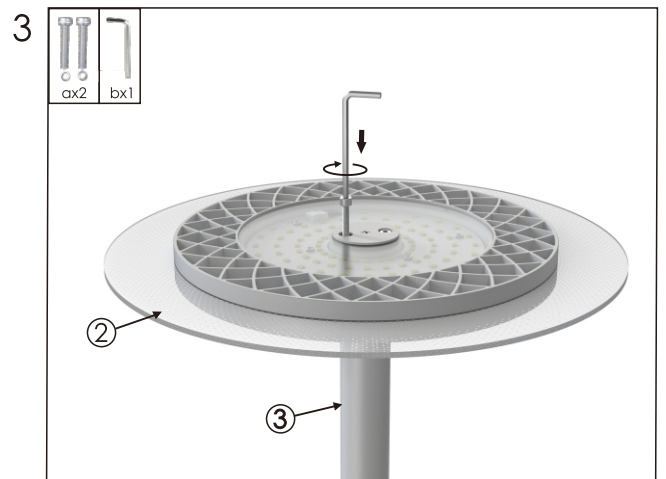
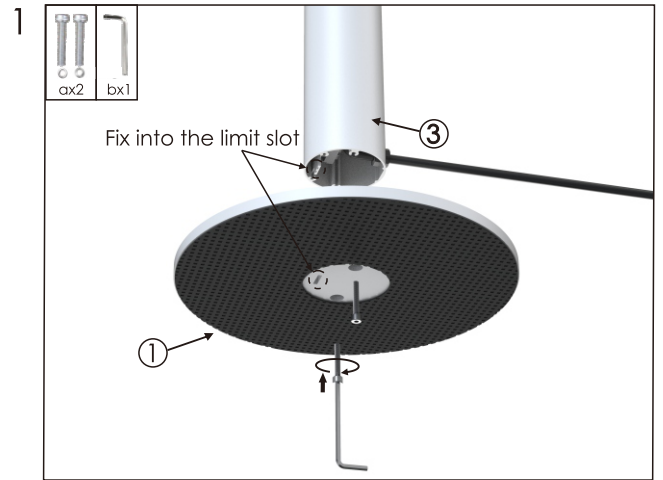
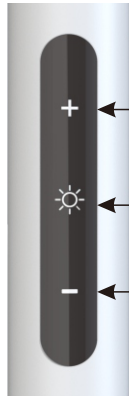


Installation instruction



Manual

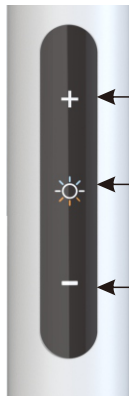


← Long press to dimming +

On-Off Switch:
1. ON: Turn on and will keep light same as previous status automatically
2.OFF: Turn off the light

← Long press to dimming -

non color dimming



← Long press to dimming +

On-Off Switch:
1. ON: Turn on and will keep light same as previous status automatically.
2.OFF: Turn off the light.
Long press for CCT change

← Long press to dimming -

color dimming