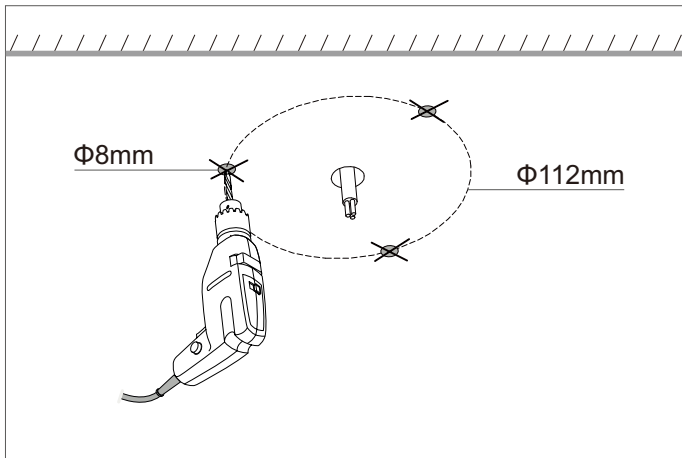
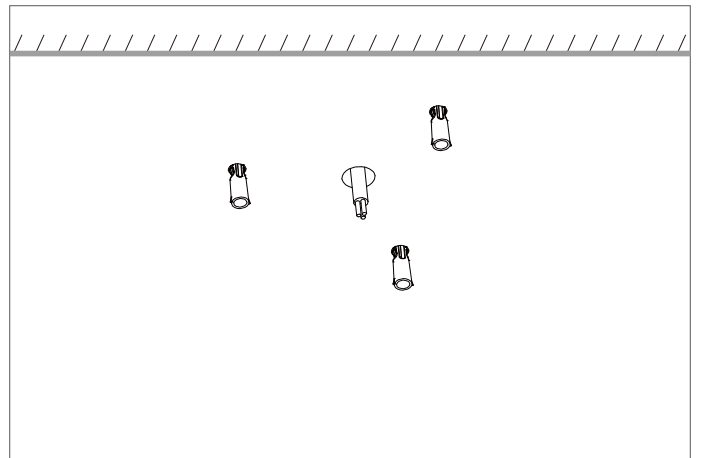


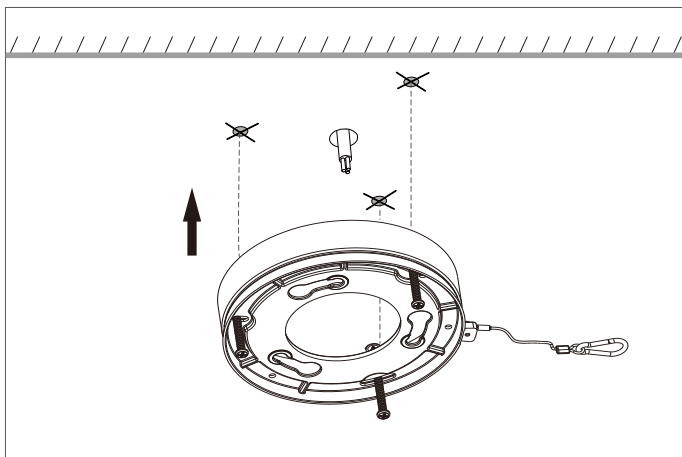
Installation instruction



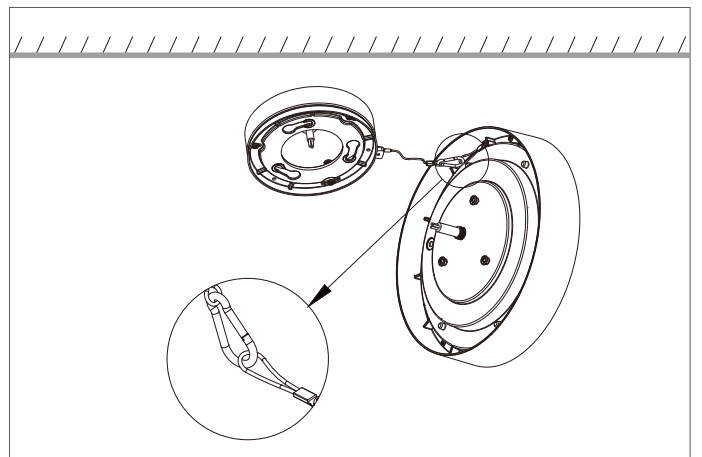
1. Punch three holes (size: $\Phi 8\text{mm} \times 50\text{mm}$) at the position of three equal parts on a circle (diameter: 112mm) in the ceiling.



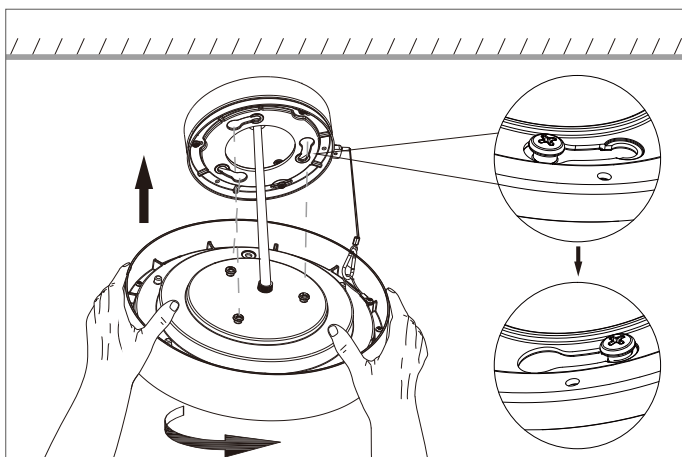
2. Install the plastic geckos.



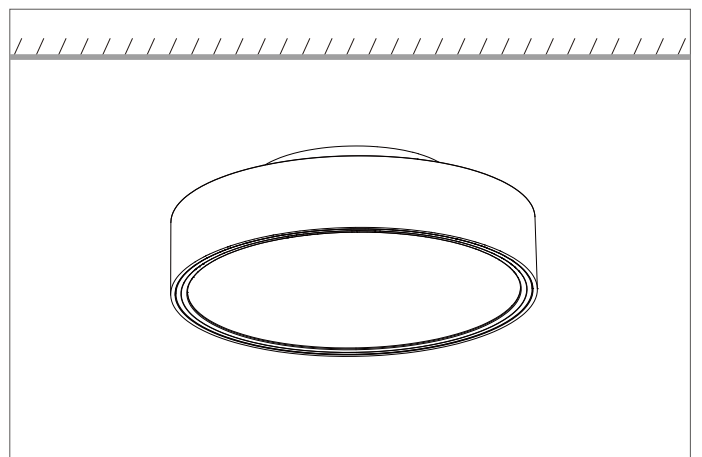
3. Fix the base to the ceiling with self-tapping screws.



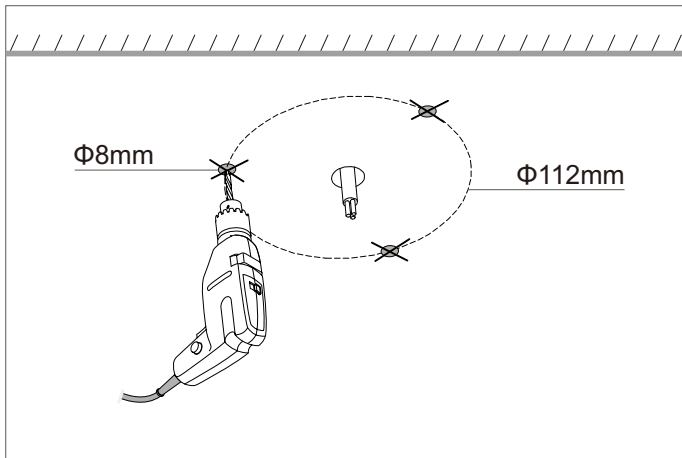
4. Put the safety rope around the metal clip of the lamp body, then connect the cables (ensure the power is off and input AC 200-240V).



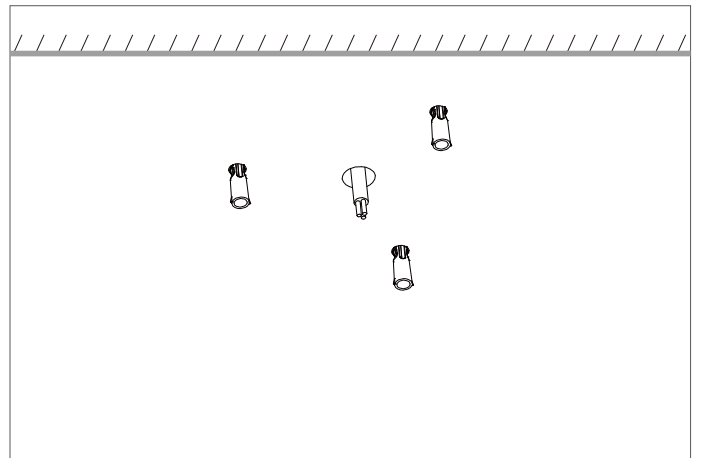
5. Align the hole, and screw the lamp body clockwise into the base (about 30°). If there is a slight looseness, it indicates that it is rotated in place.



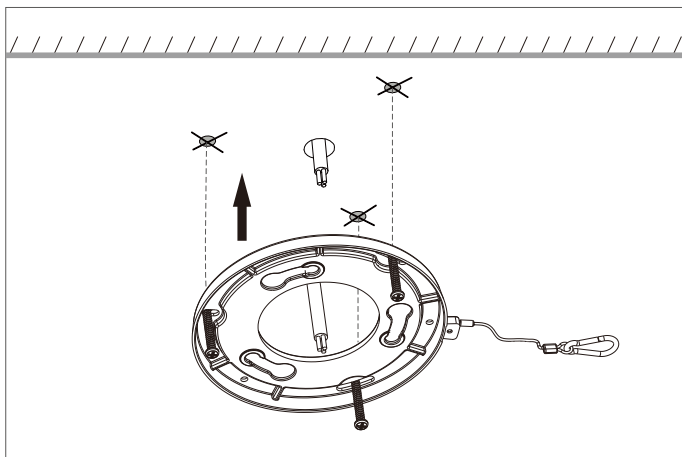
Installation instruction



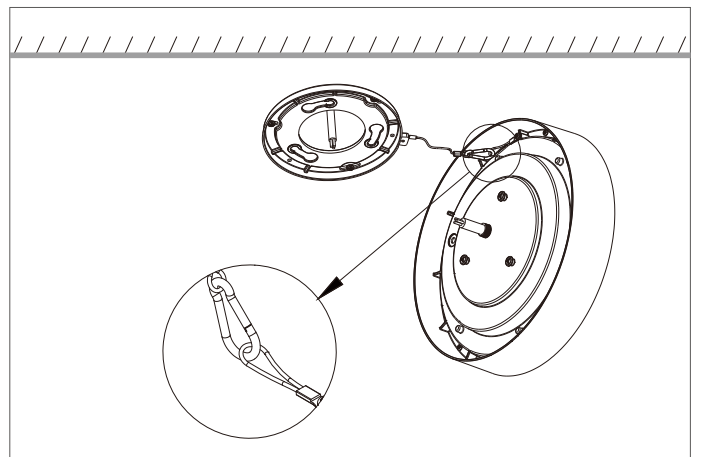
1. Punch three holes (size: $\Phi 8\text{mm} \times 50\text{mm}$) at the position of three equal parts on a circle (diameter: 112mm) in the ceiling.



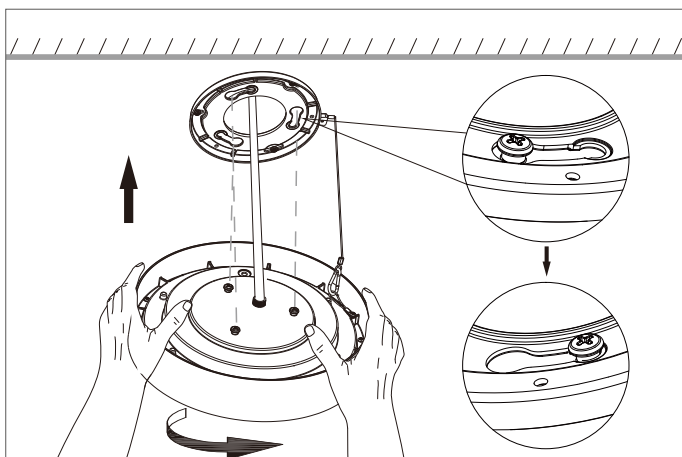
2. Install the plastic geckos.



3. Fix the base to the ceiling with self-tapping screws.



4. Put the safety rope around the metal clip of the lamp body, then connect the cables (ensure the power is off and input AC 200-240V).



5. Align the hole, and screw the lamp body clockwise into the base (about 30°). If there is a slight looseness, it indicates that it is rotated in place.

