



Bole is a range of high-quality IP65 bollard light with a contemporary and classic design. The fixture is with die-casting head, extrusion aluminum body and PC optical concept, Sophisticated surface finish gives a high end appearance of texture Thanks to perfect powder coating , Our bollards have IP65 certificate tough weather conditions , resistance seawater and corrosion. Bole range is available in Round / Square / Mushroom designs, and each design has 250mm, 600mm, 1000mm height. The professional optical solution offers a fully anti-glare and comfortable light uniformity, reaches 9Meter diameter wide light distribution but a very narrow dark zone under the fixture. We offer 5 years warranty,main uses architectural addition to important business and commercial buildings, corporate headquarters, parks, recreational areas and gardens.

Features

No glare

Light emission 360°

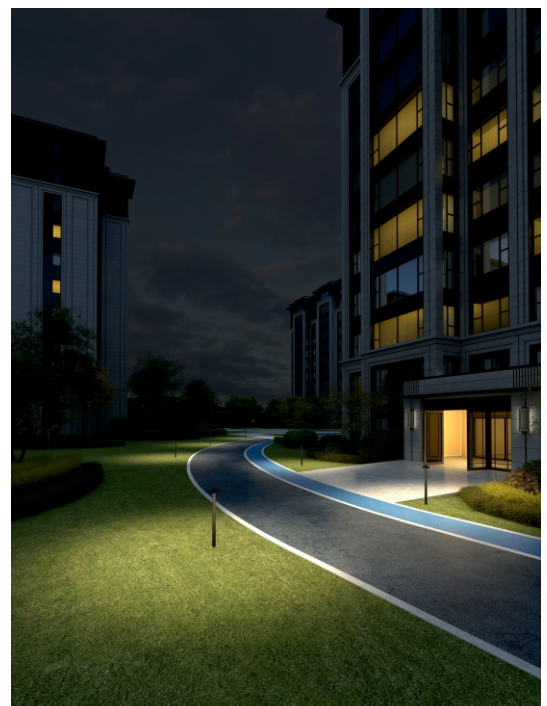
No glare, Long range, Uniform light

Lamp protection grade IP65/IK08

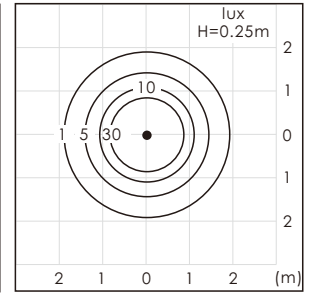
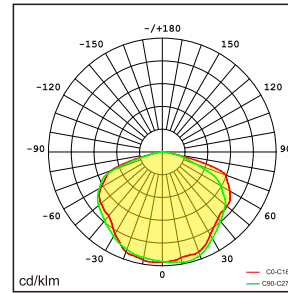
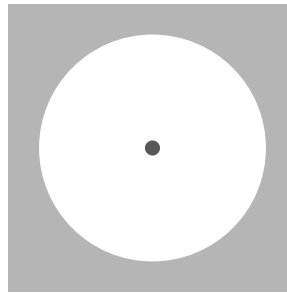
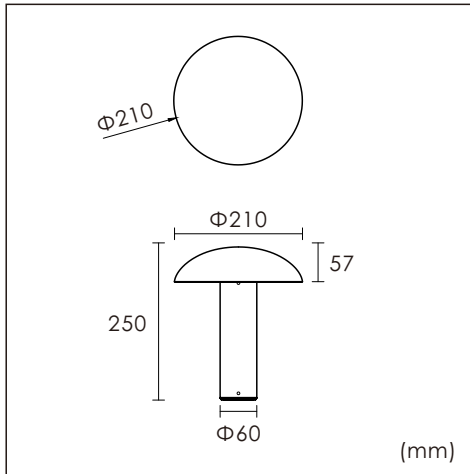
5 years warranty

Application Areas

commercial buildings, corporate headquarters, parks, recreational areas and gardens, etc.

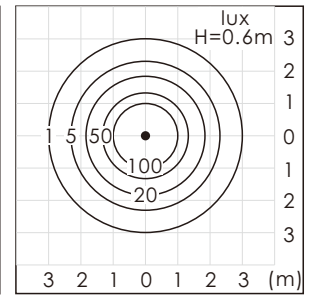
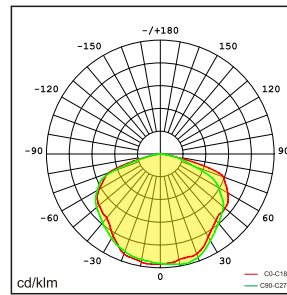
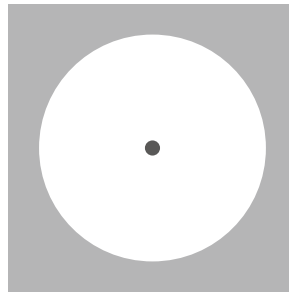
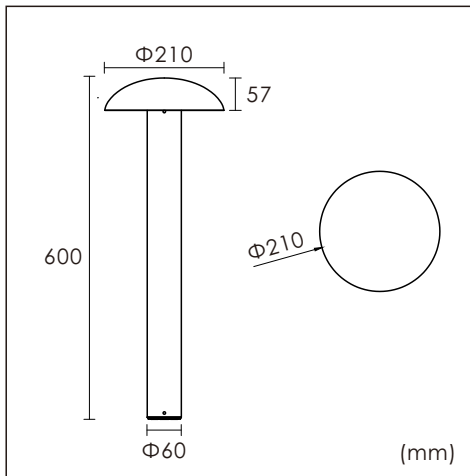


Technical data



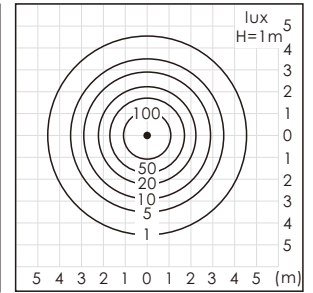
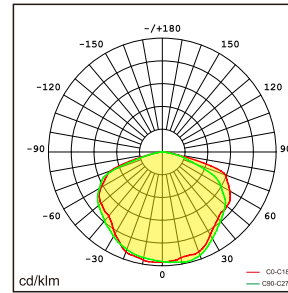
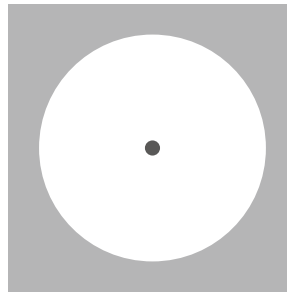
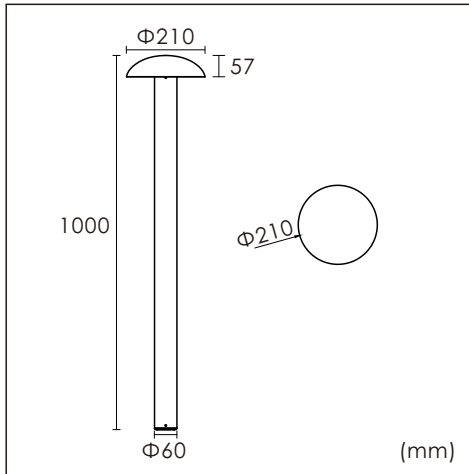
Item No.	B1BU0-10280-NN	B1BU0-10380-NN	B1BU0-10580-NN	B1BU0-24280-NN	B1BU0-24380-NN	B1BU0-24580-NN
Input Power	10W			24W		
Input Voltage	AC220~240V					
Luminous Flux(±5%)	907 lm			2087 lm		
Colour temperature	2700K	3000K	4000K	2700K	3000K	4000K
Optic	360° distribution					
Total light flux at or above 90°	<0%					
Color Rendering Index	>80					
Life Time	L70(B50)50,000H					
Colour consistency SDCM	<3					
Dimming	NO					
Housing Color	Black/Silver					
Fixture Materia	6063AL+ADC12+PC					
Protection Level	IP65/IK08					
Storage Temperature	-30°C~+60°C					
Working Temperature	-30°C~+45°C					
Net Weight	1.3kg					
Size	Φ210*250mm					
Package size	395*315*130mm(1PCS)					
20GP	1890 PCS					
40GP	3906 PCS					

Technical data



Item No.	B1BU1-24280-NN	B1BU1-24380-NN	B1BU1-24580-NN	B1BU1-24280-NN	B1BU1-24380-NN	B1BU1-24580-NN
Input Power	24W					
Input Voltage	AC220~240V					
Luminous Flux(±5%)	2087 lm					
Colour temperature	2700K	3000K	4000K	2700K	3000K	4000K
Optic	360° distribution					
Total light flux at or above 90°	<0%					
Color Rendering Index	>80					
Life Time	L70(B50)50,000H					
Colour consistency SDCM	<3					
Dimming	NO					
Housing Color	Black/Silver					
Fixture Materia	6063AL+ADC12+PC					
Protection Level	IP65/IK08					
Storage Temperature	-30°C~+60°C					
Working Temperature	-30°C~+45°C					
Net Weight	1.65kg					
Size	Φ210*600mm					
Package size	605*495*130mm(2PCS)					
20GP	1512 PCS					
40GP	3276 PCS					

Technical data



Item No.	B1BU2-24280-NN	B1BU2-24380-NN	B1BU2-24580-NN	B1BU2-24280-NN	B1BU2-24380-NN	B1BU2-24580-NN
Input Power	24W					
Input Voltage	AC220~240V					
Luminous Flux(±5%)	2087 lm					
Colour temperature	2700K	3000K	4000K	2700K	3000K	4000K
Optic	360° distribution					
Total light flux at or above 90°	<0%					
Color Rendering Index	>80					
Life Time	L70(B50)50,000H					
Colour consistency SDCM	<3					
Dimming	NO					
Housing Color	Black/Silver					
Fixture Materia	6063AL+ADC12+PC					
Protection Level	IP65/IK08					
Storage Temperature	-30°C~+60°C					
Working Temperature	-30°C~+45°C					
Net Weight	1.95kg					
Size	Φ210*1000mm					
Package size	1005*315*220mm(3PCS)					
20GP	1230 PCS					
40GP	2550 PCS					



Spike

Φ53*265mm



J Anchor Bolt Kit

Φ120*200mm



M682-B(3P)
IP68 Waterproof connector
72mm*21mm



M684-B(5P)
IP68 Waterproof connector
99mm*25mm



M685-Y
IP68 Waterproof connector
140mm*72mm