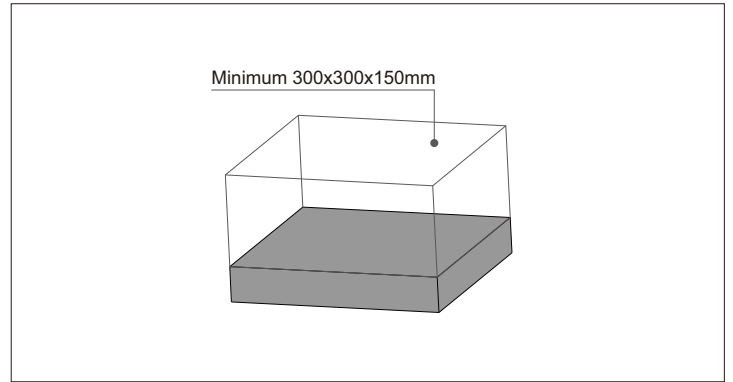
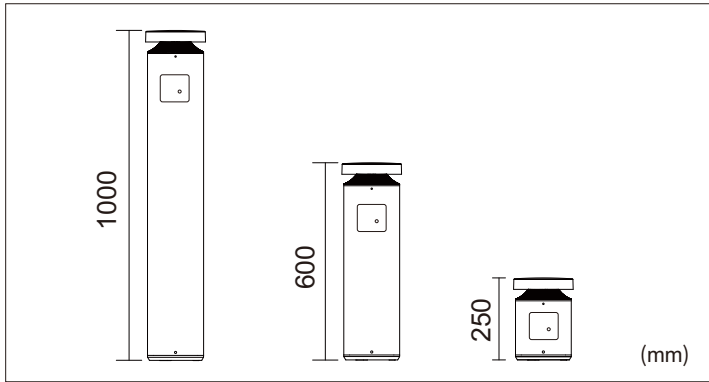
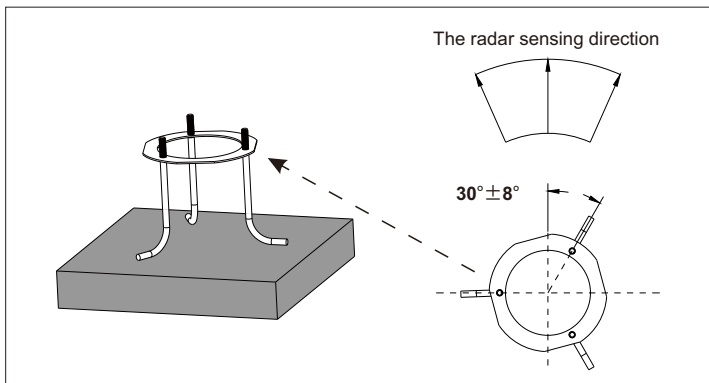


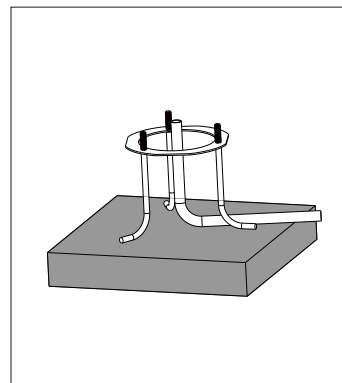
Installation instruction



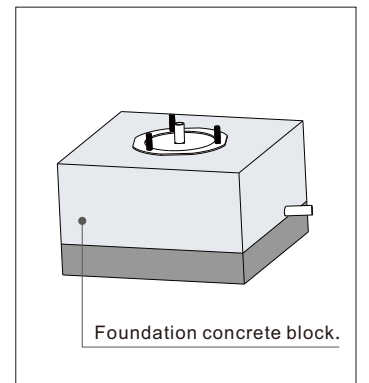
1. Dig a hole with minimum size 300x300x150mm



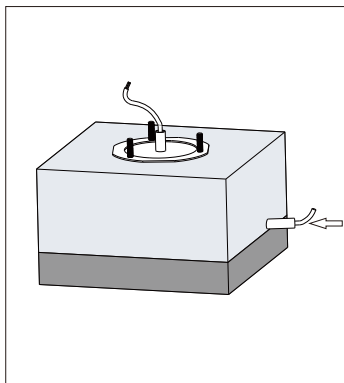
2. Put the L-type bracket into the hole
(Pay attention to the radar sensing direction)



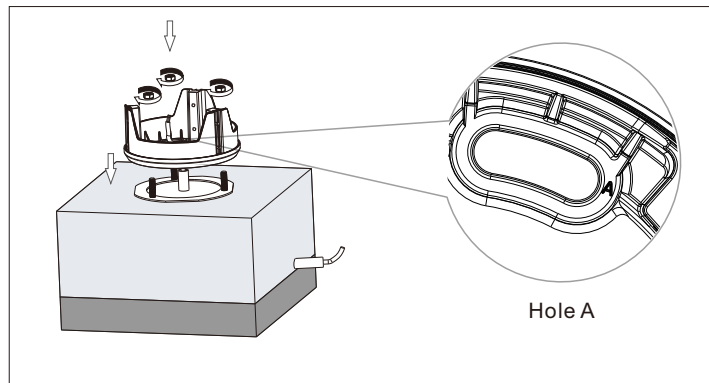
3. Install the conduit tube



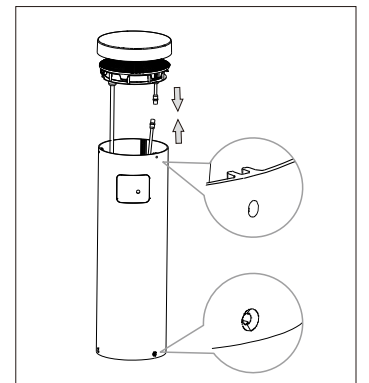
4. Make sure the bracket plate is flat with ground .



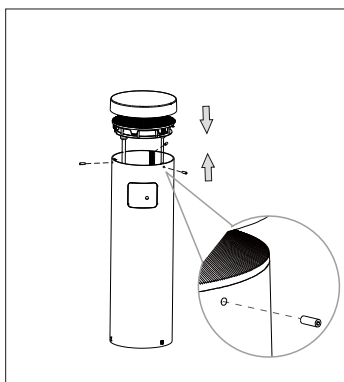
5. Put the wire through conduit tube



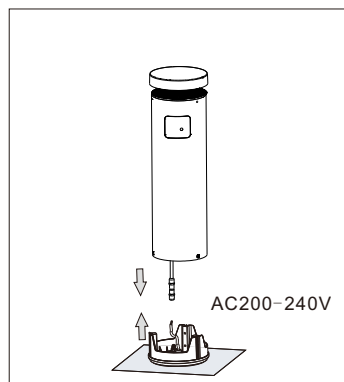
6. Fix the mounting plate to the L-type bracket



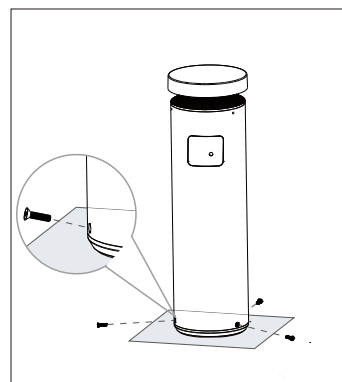
7. Connect the wires



8. Fix the bollard head and bollard tube

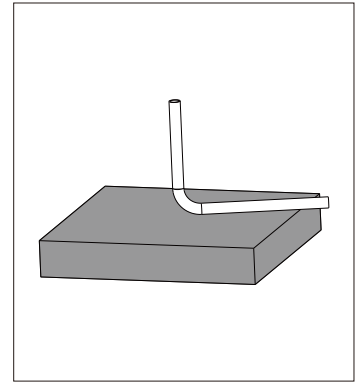
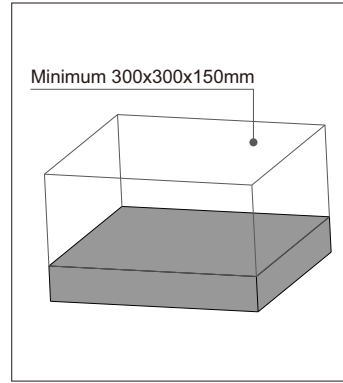
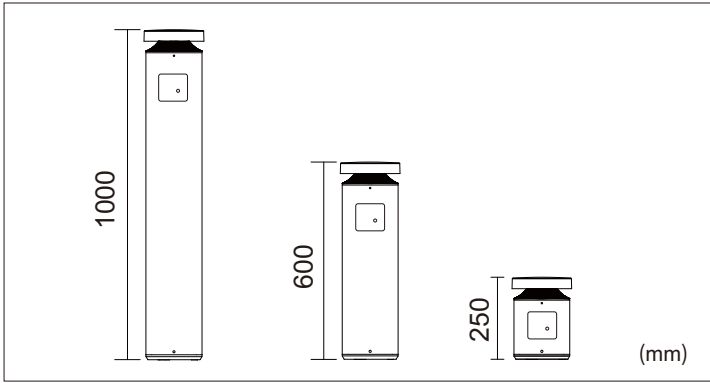


9. Connect the bollard wire to the electricity cable



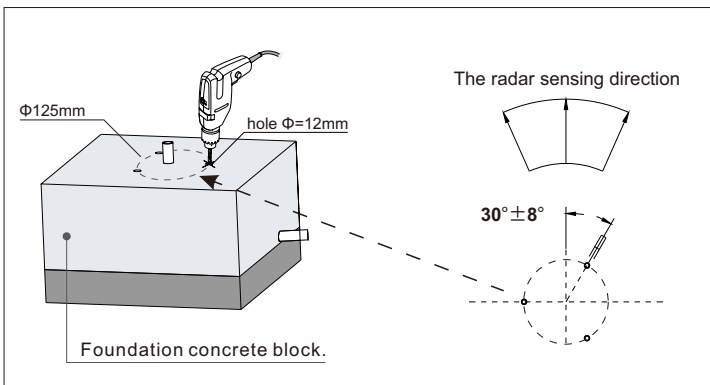
10. Fix the bollard tube onto the mounting base, Pay attention to the radar sensing direction.

Installation instruction

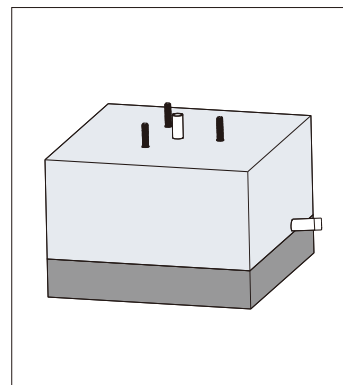


1. Dig a hole with minimum size 300x300x150mm

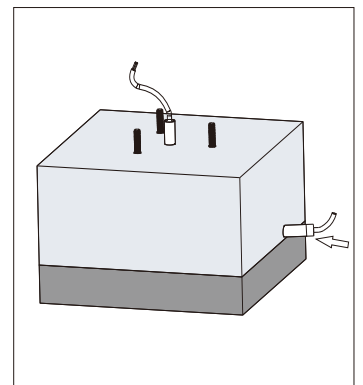
2. Put the conduit tube



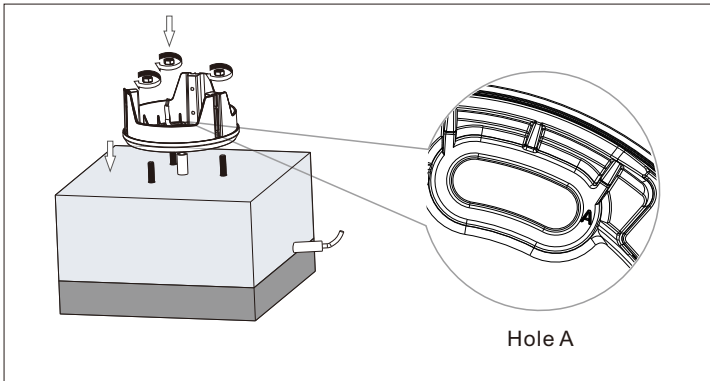
3. Fix the conduit tube, Ground drilling (three equal parts on a 125mm diameter circle, the hole diameter is 12mm), Pay attention to the radar sensing direction.



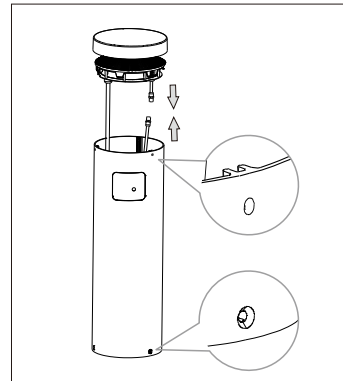
4. the expansion screw should be flat with ground



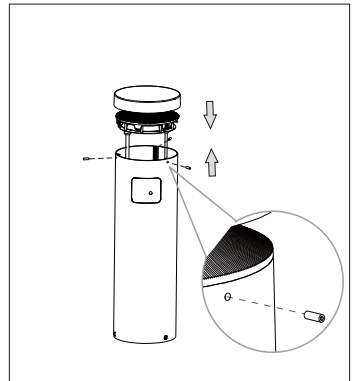
5. Put the wire through conduit tube



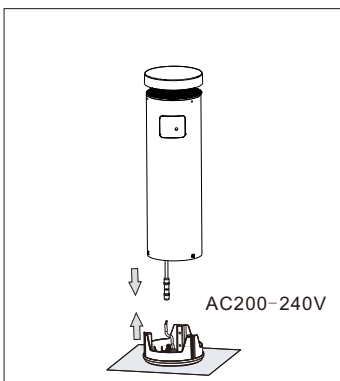
6. Fix the mounting plate



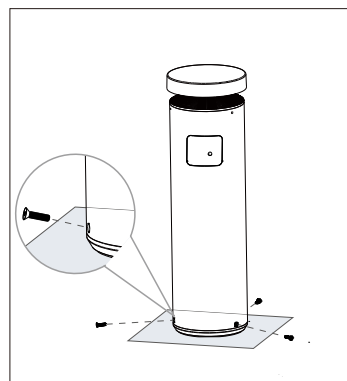
7. Connect the wires



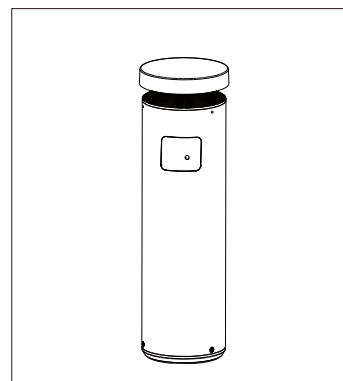
8. Fix the bollard head and bollard tube



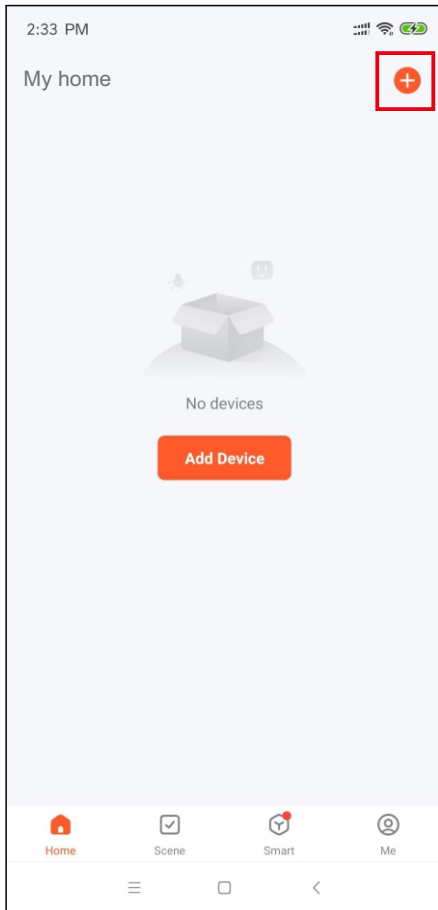
9. Connect the bollard wire to the electricity cable



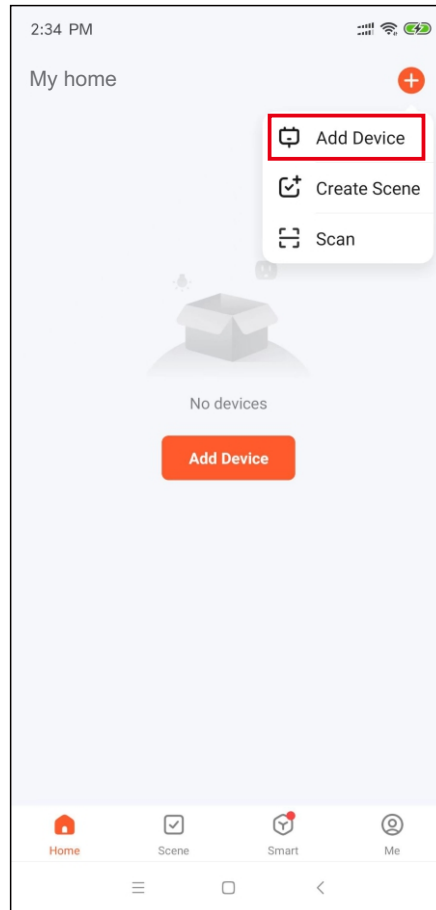
10. Fix the bollard tube onto the mounting base, Pay attention to the radar sensing direction.



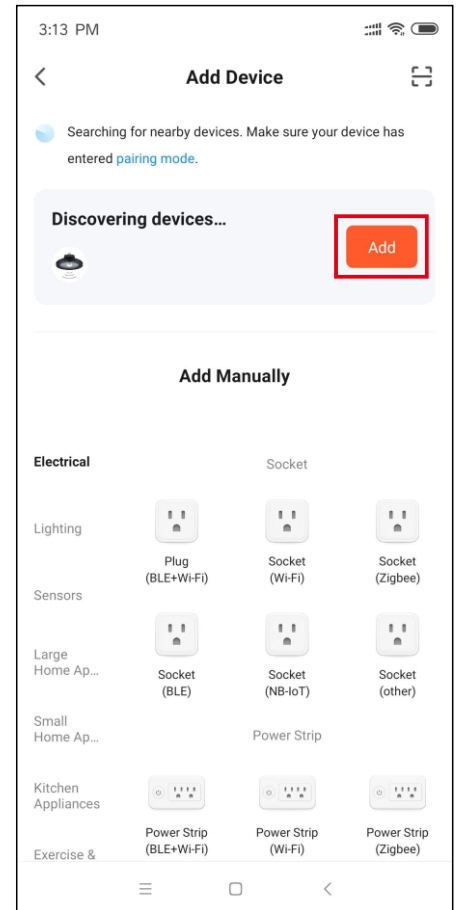
TUYA-Bluetooth instruction manual



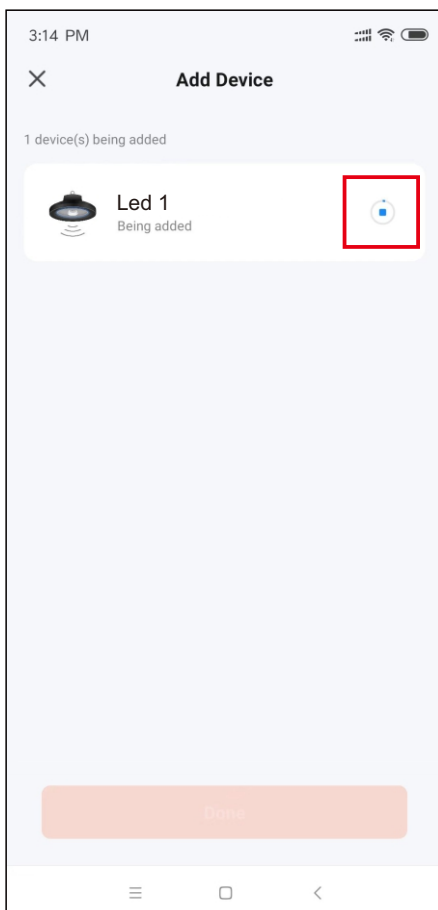
1. Open TUYA app and click "+"



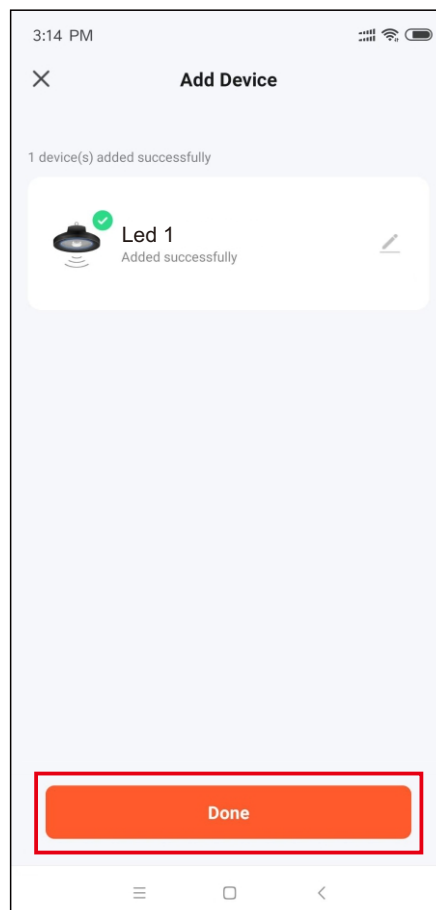
2. Choose "Add Device"



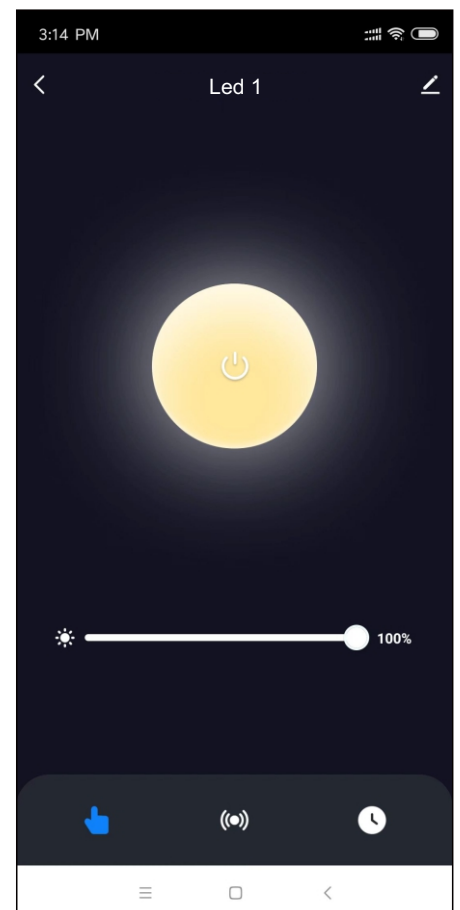
3. Click "Add"



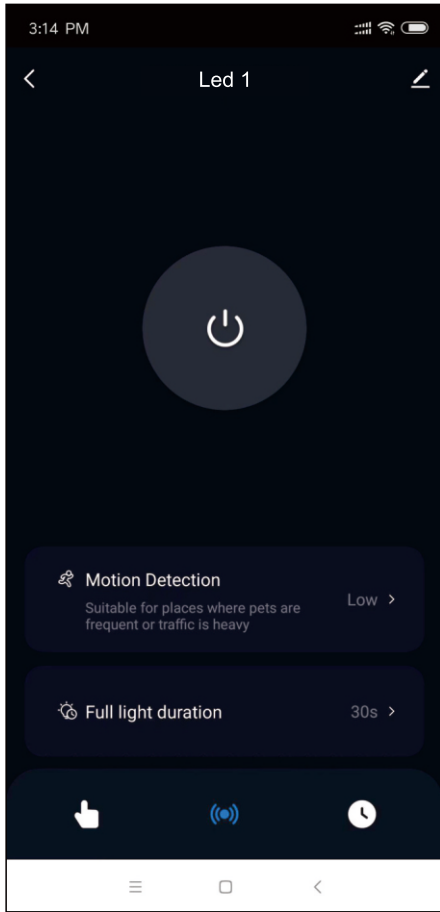
4. Add Device



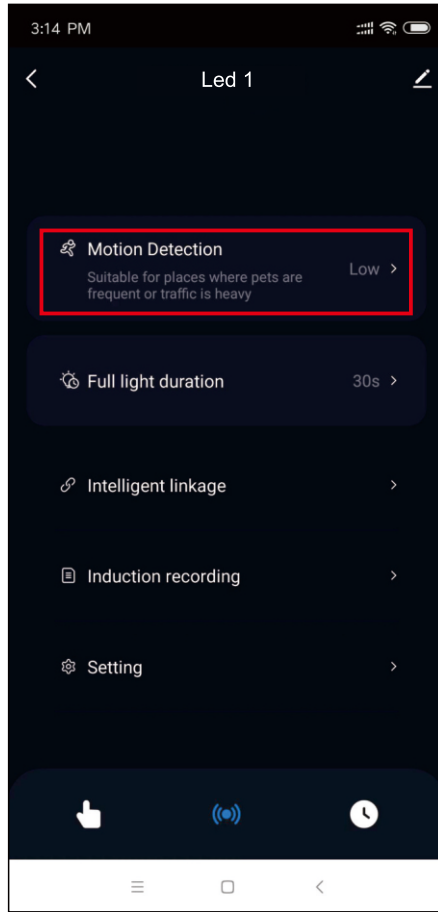
5. Add Device completed



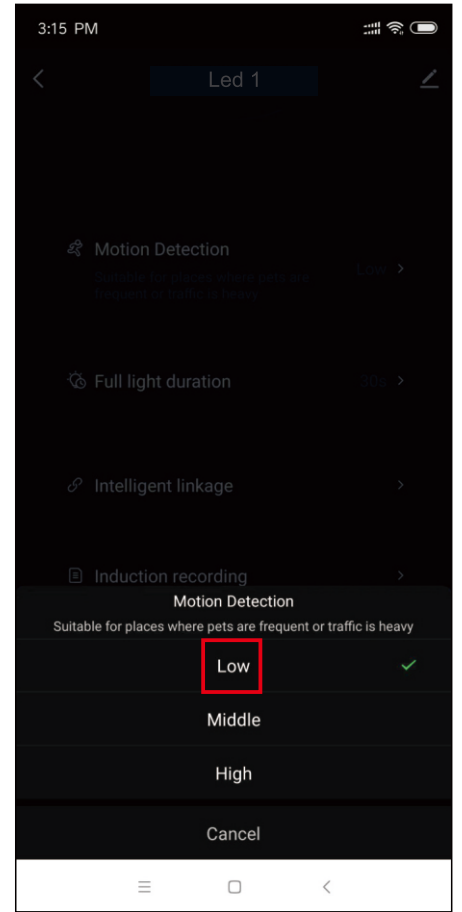
6. On/Off and Dimming



7. Open Radar sensor

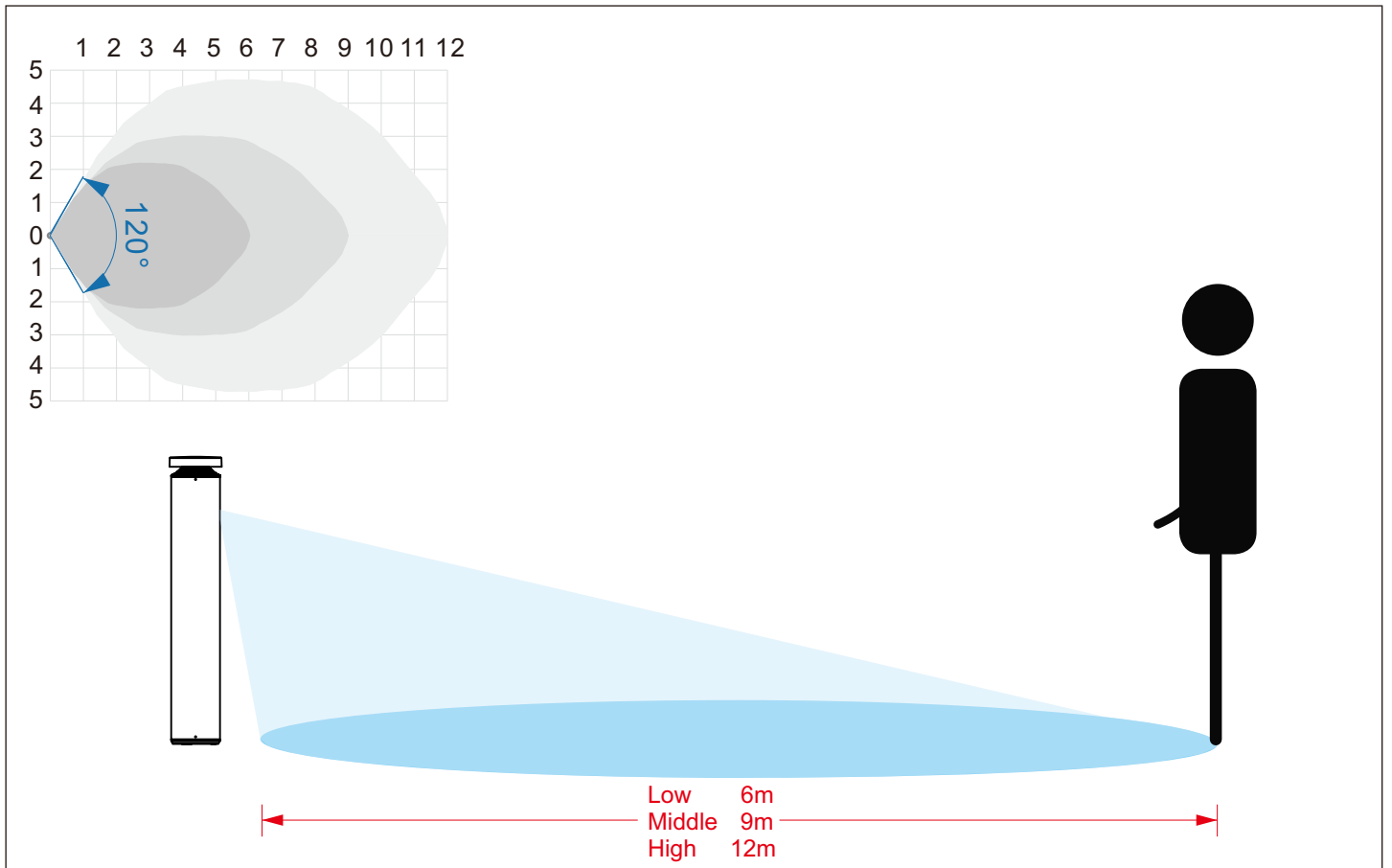


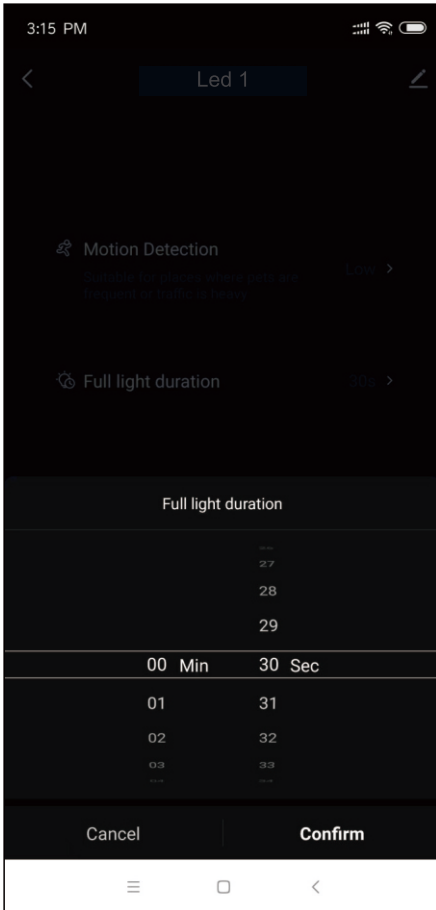
8. Motion Detection



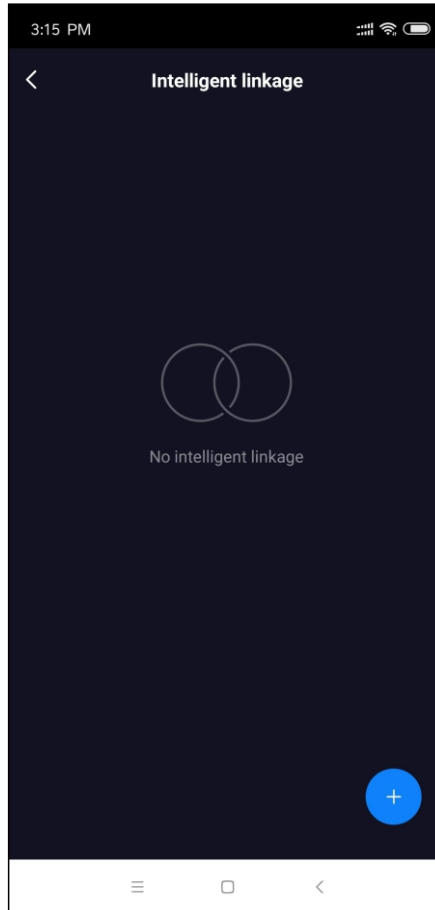
9. Click " Low "

Detectable area

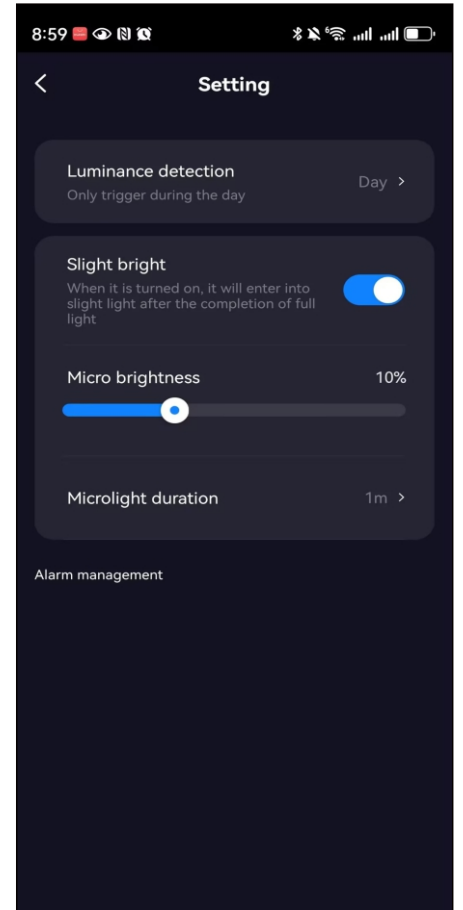




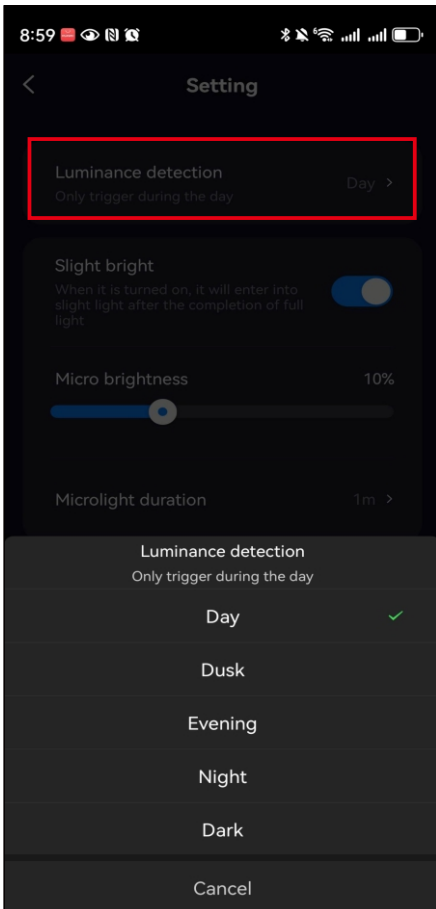
10. Full light duration



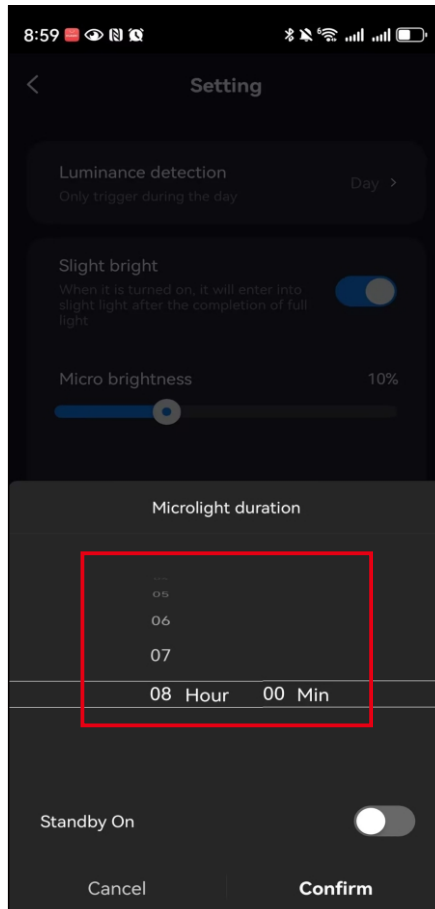
11. Intelligent linkage



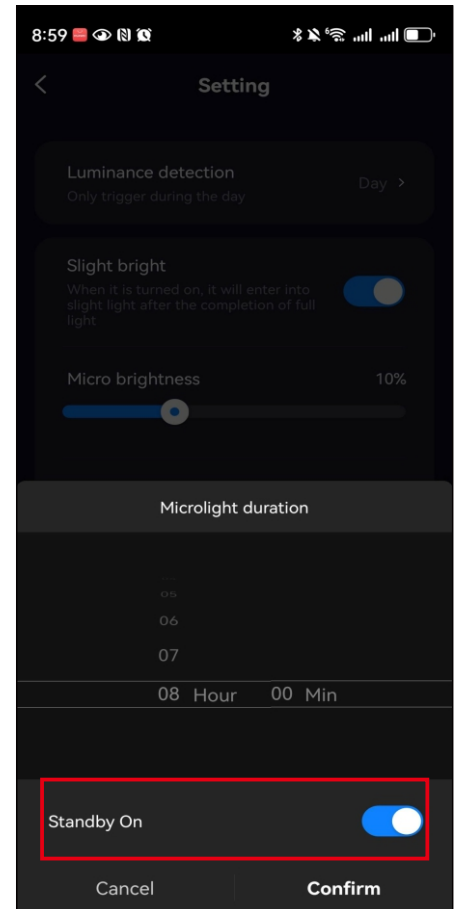
12. Setting (Luminance detection, Only trigger during the day)



13. Click Luminance detection to select brightness (Day 2000Lux, Dusk 300Lux, Evening 50Lux, Night 10Lux, Dark 5Lux)



14. Set the light time after sensing someone leaving. The maximum time is 8 hours.



15. Turn on the Standby On function, and the light will stay on when it senses someone leaving.

Reset setting: Bluetooth can be reset by repeatedly turning on and off for more than 5 times