

Halo is a round ceiling lamp with simple appearance and rich texture. The main body of the lamp is die-cast and has good heat dissipation performance. With high quality outdoor powder technology, the lamp has tough weather resistance. Lamp protection grade IP65.

Halo series have two product sizes with three beam angles to meet lighting requirements in various scenes. The optical part of the lamp is an integrated ring reflective cup design, with anti-glare hood and high quality toughened glass, so that the lamp has a good anti-glare effect and comfortable visual perception. DALI2 dimming, wireless dimming, radar sensing and other intelligent control modes can be provided.

Halo lamp is easy to install, and the optional installation accessories can meet the installation requirements in different cable outlet. The lamps have 5 years warranty. It can be used in indoor lighting, outdoor corridor lighting, entrance lighting and other application areas.

Features

Simple and rich textured design

The optical part is designed as a one-piece annular reflector

Simple, easy and quick installation

Lamp protection grade IP65

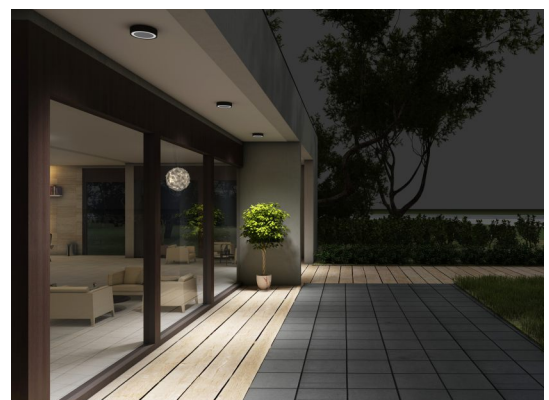
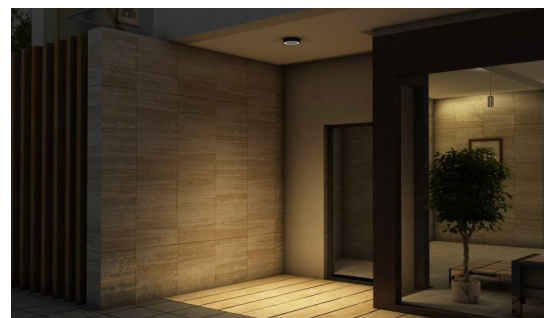
Support for smart control functions

- DALI dimming
 - wireless dimming
 - radar sensing
-

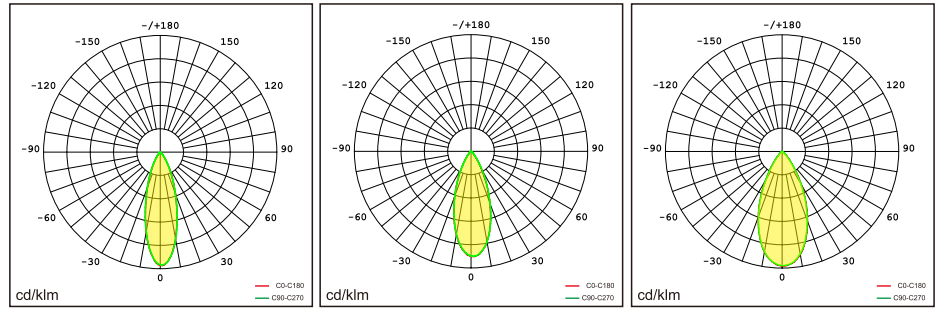
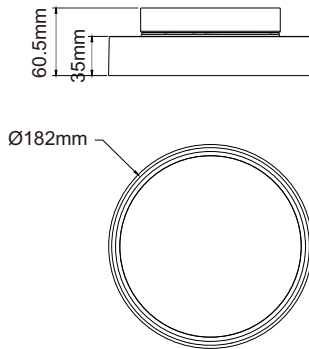
5 years warranty

Application Areas

It can be used in indoor lighting, outdoor corridor lighting, entrance lighting and other application areas.

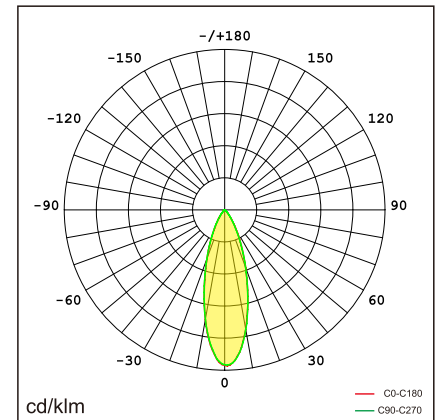
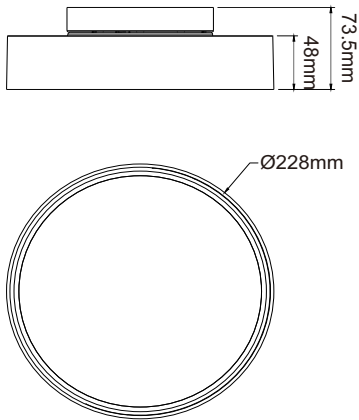


Technical data



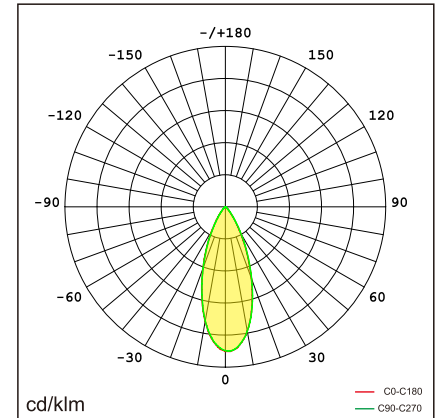
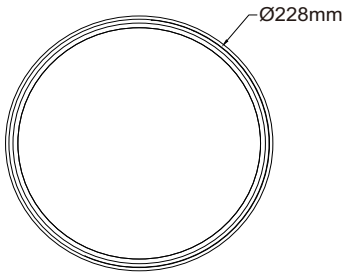
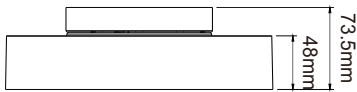
Item No.	B5HA0-13320-NN	B5HA0-13340-NN	B5HA0-13350-NN
	B5HA0-13X20-NN, the eighth X is CCT (3=3000K / 5=4000K)		
Input Power	13W		
Input Voltage	AC200~240V		
Power Factor	≥0.9		
Luminous Flux(±5%)	1069 lm	1106 lm	1173 lm
Colour temperature	3000K/4000K		
Color Rendering Index	>80		
Life Time	L70(B50)50,000H		
Colour consistency SDCM	<3		
Beam Angle	20°	34°	48°
Dimming	NO		
Housing Color	Black/Silver		
Fixture Materia	6063AL		
Protection Level	IP65/IK05		
Storage Temperature	-30°C~+60°C		
Working Temperature	-30°C~+45°C		
Net Weight	0.7kg		
Size	Φ182*38mm		
Package size	470*475*250mm (10 PCS)		
20GP	5760 PCS		
40GP	11610 PCS		

Technical data



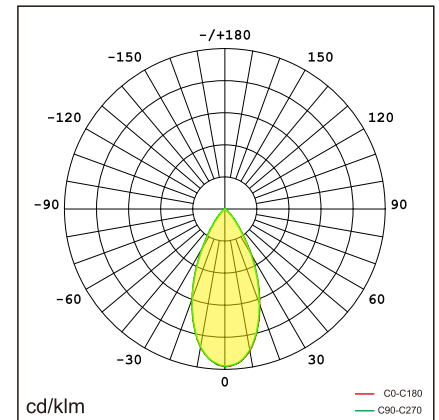
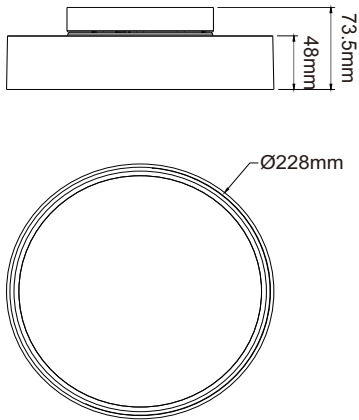
Item No.	B5HA1-25520-NN	B5HA1-25520-DN	B5HA1-25520-WM
	B5HA1-25X20-NN, the eighth X is CCT (3=3000K / 5=4000K)		
Input Power	25W		
Input Voltage	AC200~240V		
Power Factor	≥0.9		
Luminous Flux(±5%)	2135 lm		
Colour temperature	3000K/4000K		
Color Rendering Index	>80		
Life Time	L70(B50)50,000H		
Colour consistency SDCM	<3		
Beam Angle	20°		
Dimming	No	Dali 2	Wireless
Housing Color	Black/Silver		
Fixture Materia	6063AL		
Protection Level	IP65/IK05		
Storage Temperature	-30°C~+60°C		
Working Temperature	-30°C~+45°C		
Net Weight	0.9kg		
Size	Φ228*51mm		
Package size	540*440*295mm (8 PCS)		
20GP	3584 PCS		
40GP	7360 PCS		

Technical data



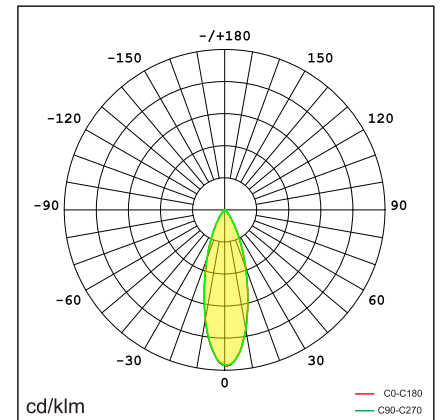
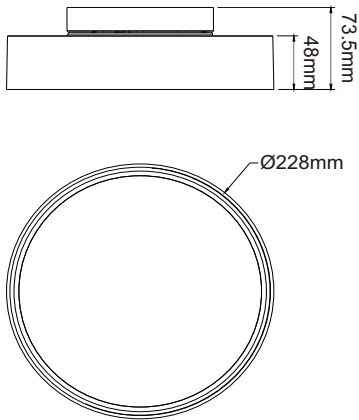
Item No.	B5HA1-25540-NN	B5HA1-25540-DN	B5HA1-25540-WM
	B5HA1-25X40-NN, the eighth X is CCT (3=3000K / 5=4000K)		
Input Power	25W		
Input Voltage	AC200~240V		
Power Factor	≥0.9		
Luminous Flux(±5%)	1987 lm		
Colour temperature	3000K/4000K		
Color Rendering Index	>80		
Life Time	L70(B50)50,000H		
Colour consistency SDCM	<3		
Beam Angle	34°		
Dimming	No	Dali 2	Wireless
Housing Color	Black/Silver		
Fixture Materia	6063AL		
Protection Level	IP65/IK05		
Storage Temperature	-30°C~+60°C		
Working Temperature	-30°C~+45°C		
Net Weight	0.9kg		
Size	Φ228*51mm		
Package size	540*440*295mm (8 PCS)		
20GP	3584 PCS		
40GP	7360 PCS		

Technical data



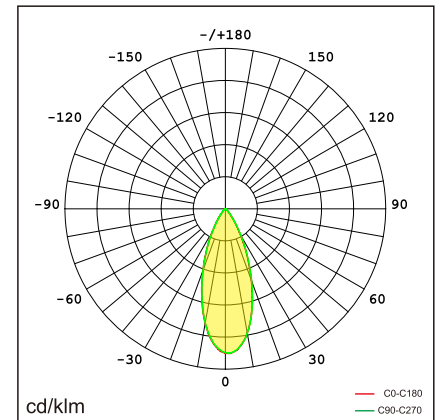
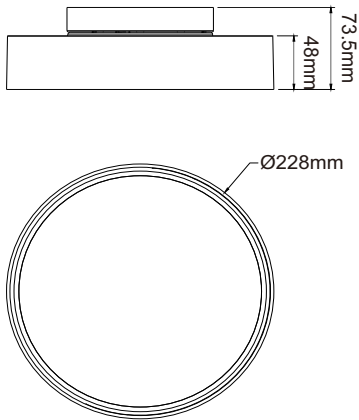
Item No.	B5HA1-25550-NN	B5HA1-25550-DN	B5HA1-25550-WM
	B5HA1-25X50-NN, the eighth X is CCT (3=3000K / 5=4000K)		
Input Power	25W		
Input Voltage	AC200~240V		
Power Factor	≥0.9		
Luminous Flux(±5%)	1746 lm		
Colour temperature	3000K/4000K		
Color Rendering Index	>80		
Life Time	L70(B50)50,000H		
Colour consistency SDCM	<3		
Beam Angle	48°		
Dimming	No	Dali 2	Wireless
Housing Color	Black/Silver		
Fixture Materia	6063AL		
Protection Level	IP65/IK05		
Storage Temperature	-30°C~+60°C		
Working Temperature	-30°C~+45°C		
Net Weight	0.9kg		
Size	Φ228*51mm		
Package size	540*440*295mm (8 PCS)		
20GP	3584 PCS		
40GP	7360 PCS		

Technical data



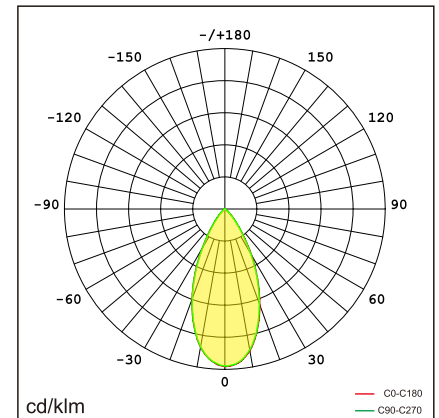
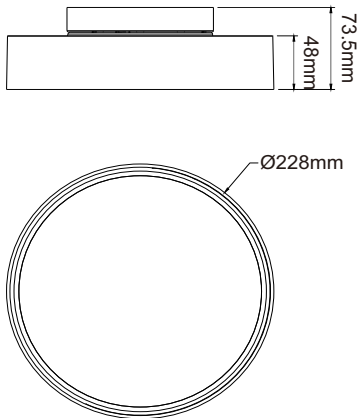
Item No.	B5HA1-39520-NN	B5HA1-39520-DN	B5HA1-39520-WM
	B5HA1-39X20-NN, the eighth X is CCT (3=3000K / 5=4000K)		
Input Power	39W		
Input Voltage	AC200~240V		
Power Factor	≥0.9		
Luminous Flux(±5%)	2600 lm		
Colour temperature	3000K/4000k		
Color Rendering Index	>80		
Life Time	L70(B50)50,000H		
Colour consistency SDCM	<3		
Beam Angle	20°		
Dimming	No	Dali 2	Wireless
Housing Color	Black/Silver		
Fixture Materia	6063AL		
Protection Level	IP65/IK05		
Storage Temperature	-30°C~+60°C		
Working Temperature	-30°C~+45°C		
Net Weight	0.9kg		
Size	Φ228*51mm		
Package size	540*440*295mm (8 PCS)		
20GP	3584 PCS		
40GP	7360 PCS		

Technical data



Item No.	B5HA1-39540-NN	B5HA1-39540-DN	B5HA1-39540-WM
	B5HA1-39X40-NN, the eighth X is CCT (3=3000K / 5=4000K)		
Input Power	39W		
Input Voltage	AC200~240V		
Power Factor	≥0.9		
Luminous Flux(±5%)	2328 lm		
Colour temperature	3000K/4000K		
Color Rendering Index	>80		
Life Time	L70(B50)50,000H		
Colour consistency SDCM	<3		
Beam Angle	34°		
Dimming	No	Dali 2	Wireless
Housing Color	Black/Silver		
Fixture Materia	6063AL		
Protection Level	IP65/IK05		
Storage Temperature	-30°C~+60°C		
Working Temperature	-30°C~+45°C		
Net Weight	0.9kg		
Size	Φ228*51mm		
Package size	540*440*295mm (8 PCS)		
20GP	3584 PCS		
40GP	7360 PCS		

Technical data



Item No.	B5HA1-39550-NN	B5HA1-39550-DN	B5HA1-39550-WM
	B5HA1-39X50-NN, the eighth X is CCT (3=3000K / 5=4000K)		
Input Power	39W		
Input Voltage	AC200~240V		
Power Factor	≥0.9		
Luminous Flux(±5%)	2000 lm		
Colour temperature	3000K/4000K		
Color Rendering Index	>80		
Life Time	L70(B50)50,000H		
Colour consistency SDCM	<3		
Beam Angle	34°		
Dimming	No	Dali 2	Wireless
Housing Color	Black/Silver		
Fixture Materia	6063AL		
Protection Level	IP65/IK05		
Storage Temperature	-30°C~+60°C		
Working Temperature	-30°C~+45°C		
Net Weight	0.9kg		
Size	Φ228*51mm		
Package size	540*440*295mm (8 PCS)		
20GP	3584 PCS		
40GP	7360 PCS		

Shenzhen Nexol Lighting Technology Co.,Ltd.

E-mail: info@nexol-lighting.com

www.nexol-lighting.com

Factory: Floor 6-9, Building 3, Tonghu Intelligent Industrial Park, Zhongkai High-Tech District, HuiZhou 516035

Office: Room 306&309, Floor 3, Building E, Longhua Digital Industrial Park, Guanlan Road 54-6, Longhua district, Shenzhen, China 518110

All values in specification are typical value from laboratory measurement, for concrete data, please refer to shipment testing report. Information provided is subject to change without notice. Please verify all details with NEXOL Lighting.

Copyright Shenzhen Nexol Lighting Co., Ltd.. All rights reserved.

